

SpectraMux® – Modular CWDM (Eight-Channel Mux and DeMux Pair – Low Loss)

CORNING

Features and Benefits

Low Insertion Loss

High Isolation

Tap Monitor Ports

20 nm Channel Separation

Epoxy Free in Optical Path

Corning introduces the Spectramux® family of products, which are designed for cost effective multiwavelength network applications. Channel spacing of 20 nm with wide bandpass characteristics allow for non-temperature controlled lasers to be used in transmitters. Based on Corning's proven thin film technology, SpectraMux CWDMs allow for four and eight wavelengths to be used for uni- or bi-directional transmission. Like all Corning DWDM products, these devices are designed for long life service under the most demanding field conditions.

Standards

RoHS	Free of hazardous substances according to RoHS2011/65/EU
Design and Test Criteria	Product is qualified to Telcordia GR-1209-CORE and GR-1221-CORE



**SpectraMux® – Modular CWDM
(Eight-Channel Mux and DeMux Pair – Low Loss)**

SpectraMux® – Modular CWDM (Eight-Channel Mux and DeMux Pair – Low Loss)

CORNING

Specifications

Parameters (Eight-Channel)	Minimum	Typical	Maximum
Center Wavelength λ_c		1471, 1491, 1511, 1531 nm \pm 20 nm 1551, 1571, 1591, 1611 nm \pm 20 nm	
Pass Channel Insertion Loss*			2.2 dB
Insertion Loss Non-Uniformity*			1.0 dB
Insertion Loss – Tap Ports*	17 dB		23 dB
Passband Width	12 nm		
Adjacent Channel Isolation	30 dB		
Return Loss	45 dB		
Directivity	50 dB		
PDL			0.3 db
PMD			0.3 ps
Maximum Optical Power		300 mW	
Operating Temperature Range		-5°C to +65°C	
Storage Temperature Range		-40°C to +85°C	
*Specification includes coupler loss and connector loss			

Shipping Package

Packaging Dimensions	Fiber Type
Half Width Rack Mount (Standard 19-in Rack Mount accommodates two Half-Width Rack Mounts)	Fiber Type: Corning® SMF-28e® or compatible, 900 μ m

Ordering Information

Spectramux® – Modular CWDM (Eight-Channel Mux and DeMux Pair – Low Loss)

C W 4 - 0 2 8 4 - L 0 0 0 0



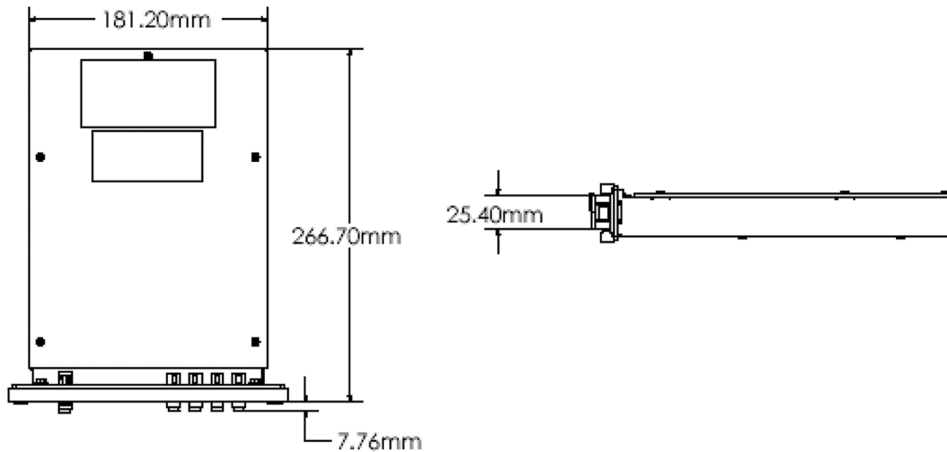
These part numbers are specific to Corning Optical Communications OEM Solutions Business Unit. Please contact OEM sales at +1-408-736-6900 or oesales@corning.com and visit www.corning.com/opcomm/oem for sales support.



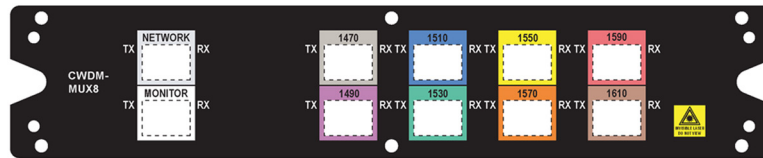
SpectraMux® – Modular CWDM (Eight-Channel Mux and DeMux Pair – Low Loss)



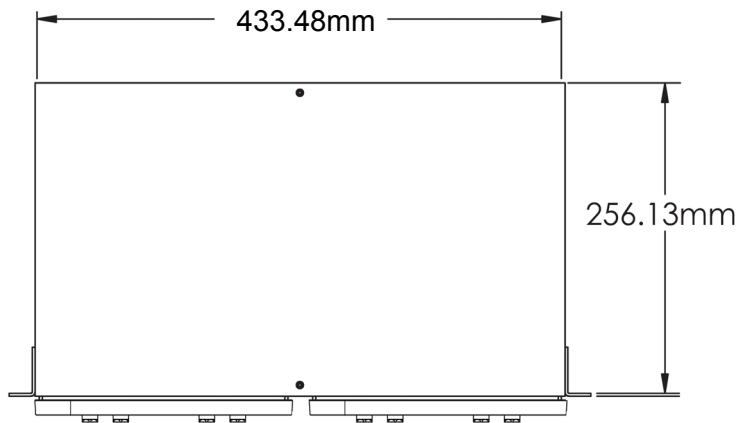
Mechanical Drawing of Half-Width Rack Mount



Front Panel Layout



Mechanical Drawing of 19-in Rack Mount



Note: 19-in rack chassis is sold separately under P/N: CW4-RACK-19000.



Corning Optical Communications LLC • PO Box 489 • Hickory, NC 28603-0489 USA
 800-743-2675 • FAX: 828-325-5060 • International: +1-408-736-6900 • www.corning.com/opcomm/oem • Email: oemsales@corning.com
 Corning Optical Communications reserves the right to improve, enhance, and modify the features and specifications of Corning Optical Communications products without prior notification. A complete listing of the trademarks of Corning Optical Communications is available at www.corning.com/opcomm/trademarks. All other trademarks are the properties of their respective owners. Corning Optical Communications is ISO 9001 certified.
 © 2016 Corning Optical Communications. All rights reserved.

