

Eclipse® Hardware Product Family

CORNING

Features and Benefits

Comprehensive product family

Enables flexible configurations to suit any network

Complete 1,440 fiber connection capacity in a standard 7-ft frame

Compatible with both Gen III and "LS" series PON splitters scalable to 864 outputs within a 7-ft frame

Integrated fiber management

Maximizes product performance over time

Standards

Approvals and Listings

RDUP (RUS) Listed

Corning offers a variety of products to meet your optical hardware needs. The Eclipse® hardware family is specifically designed for FTTx applications and is available with a variety of splitter solutions that can be collocated within the same hardware frame. The Eclipse hardware family can also provide a more traditional cross-connect or interconnect solution for your network.

The Eclipse Hardware rack-mountable product set is engineered around two primary types of hardware housings: connector housings and connector/splice housings. Connector housings accommodate a wide range of termination options and can be ordered empty, preconnectorized with pigtails or completely prestubbed with cables. Empty connector housings can be easily outfitted with couplers and CWDM modules or can be fitted with our latest Gen III FTTx splitter module configuration that provides a simple, quick and incremental growth capability. Notably, these splitters are also fully compatible with the OptiTect® Local Convergence Cabinet, Gen III Series family. Housings are also available to provide on-the-rack splicing. A full line of Eclipse Hardware network bays, frame components and accessories are available to help you create a complete customized package tailored to the specific needs of your installation.

Unique to the Eclipse hardware family is its innovative jumper routing and management features which are incorporated into the design of each housing. Jumpers are segregated by panel-specific routing clips and are routed through an easy-access trough across the front



Eclipse Hardware
| Photo FOH085



Eclipse Hardware
| Photo FOH081

Eclipse® Hardware Product Family

CORNING

of the housing. This trough also features a removable jumper "waterfall" which ensures a proper bend radius as the jumpers exit the housing.

The Eclipse® Hardware wall-mountable solution set provides interconnect or cross-connect capabilities between the outside plant, riser or distribution cables and the opto-electronics. The units are ideal in applications that require low-fiber-count distribution and are available in both a 3-panel and 6-panel housing.

The Eclipse Hardware connector housing provides innovative and unique jumper management features such as panel-specific routing clips, a removable jumper

waterfall and vertical routing of jumpers through the top or bottom of the housing.

When used with the Eclipse Hardware connector housings, Eclipse Hardware jumper management panels facilitate vertical routing of jumpers and offer front-to-back jumper access.

The Eclipse Hardware Gen III module housing can provide a complete 864-fiber FTTx splitter and distribution solution in a standard 7-foot frame.

The Eclipse Hardware splice housing features a slide-out splice shelf with large routing clips for routing and storing buffer tubes.



Eclipse Hardware Cabinet
| Photo ICH176



Eclipse Hardware Splice Housing
| Photo ICH177



Eclipse Housing with Gen III Splitter
| Photo ICH302

ECL-C4U Connector Housings and Panels

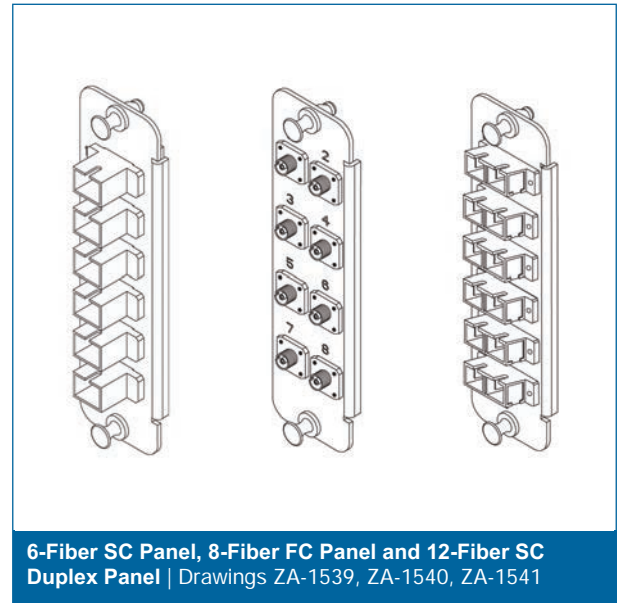
The Eclipse® Hardware connector housing (ECL-C4U) provides interconnect and cross-connect capabilities between the outside plant, riser or distribution cables and optical equipment. The housing may be rack-mounted in 19-in (48.3 cm) or 23-in (58.4 cm) equipment racks and is available in a variety of fiber count configurations for most connector types. Each ECL-C4U occupies four rack spaces or units.

The design of the Eclipse Hardware connector housing incorporates several innovative jumper routing features. Jumpers are segregated by panel-specific routing clips and are routed through an easy-access trough across the front of the housing. This trough also features a removable jumper waterfall that ensures a proper bend radius as the jumpers exit the housing. When the waterfall is removed, jumpers may be routed through the bottom of the housing into other housings or into Eclipse Hardware jumper management panels. Similarly, the unique open top on the front portion of the housing, when used in conjunction with Eclipse Hardware jumper management panels, facilitates vertical jumper routing through the top of the housing.

The Eclipse Hardware unit can be ordered empty, with connector panels and adapters, with fiber pigtailed or prestubbed with a factory-tested cable assembly. Labels are provided for documentation, and units can be added as needed to construct a fiber distribution frame for high-fiber-count applications.

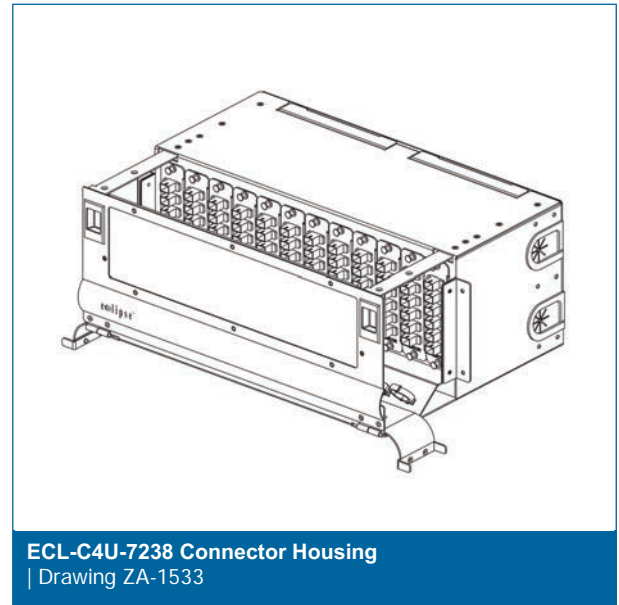
Pigtail Splicing of Connectors

The ECL-C4U can be used in conjunction with the Eclipse Hardware splice housing (ECL-S4U) for pigtail splicing of fibers.



Preconnectorized Cable Assemblies/Stubbed Connector Housings

The ECL-C4U is available with a preconnectorized cable stub made from loose tube, tight-buffered or ribbon cables. The stubbed option allows the splice point to be located in a remote location and conserves rack space. The cable stub is typically shipped coiled on a reel and strain-relieved where it enters the housing. The factory-connectorized fibers terminate in the rear of the adapter panels. This complete factory-installed and factory-tested assembly allows for fast, efficient installation of the patch panel and eliminates the need for conduit when stubbed with OFNR cable. This preconnectorized, stubbed housing offers the assurance of factory-quality connectors.



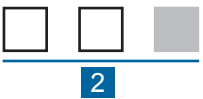
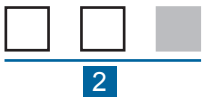
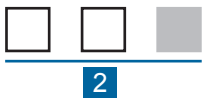
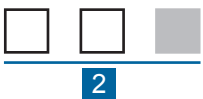

Connector Panels

Eclipse® Hardware connector panels are robust, steel panels for use in the Eclipse Hardware connector housing (ECL-C4U). The panels accommodate 6-, 8-, or 12-fiber terminations in most industry-standard adapter types, such as FC and SC.

Connector Housings and Panels		
Part Number	Dimensions (HxWxD)	Shipping Weight
ECL-C4U	17.5 cm x 43.9 cm x 30.2 cm (6.9 in x 17.3 in x 11.9 in)	5.9 kg (13.0 lb)

Note: The jumper waterfall increases dimensions to 21.3 cm (8.4 in) and the width to 51.6 cm (20.3 in). For fully loaded Eclipse Hardware connector housings or panels, refer to literature code 0169_NAFTA_AEN (EVO-379-EN) for pigtail configurations and 0167_NAFTA_AEN (EVO-136-EN) for stubbed configurations.

Ordering Information

ECL - C4U		4U Connector Housing with blank panels
ECL - C4U - 48		48-Fiber Capacity Connector Housing with 12 4-fiber panels equipped with specified simplex adapter type
ECL - C4U - 72		72-Fiber Capacity Connector Housing with 12 6-fiber panels equipped with specified simplex adapter type
ECL - C4U - 96		96-Fiber Capacity Connector Housing with 12 8-fiber panels equipped with specified SC duplex or LC duplex adapter types
ECL - C4U - E4		144-Fiber Capacity Connector Housing with 12 12-fiber panels equipped with specified duplex adapter type (available in SC duplex and LC duplex only)
ECL - CP -		Connector Panel with specified number of designated adapters
ECL - BLANK		Blank Panel for housing

Note: 12-fiber SC configurations are configured with a ceramic insert duplex adapter.

- 1** Select number of fibers per panel.
- 06 = 6 fibers
 - SC duplex and LC duplex only**
 - 08 = 8 fibers
 - 12 = 12 fibers

- 2** Select adapter code.
- Single-mode, UPC, RFL < 55 dB**
- 3C = SC, ceramic insert
 - 59 = SC, ceramic insert, duplex
 - 11 = FC, metal insert
 - 6T = ST® compatible, threaded ceramic insert
 - 19T = ST compatible, threaded ceramic insert
 - A9 = LC, ceramic insert, duplex
- Single-mode, APC, RFL < 70 dB**
- 6C = SC, ceramic insert
 - D9 = SC, ceramic insert, duplex
 - B3 = LC, ceramic insert, duplex

- Multimode**
- 56 = SC, metal insert, OM1
 - 91 = SC, metal insert, duplex, OM1
 - 5T = ST compatible, threaded ceramic insert, OM1
 - 15T = ST compatible, threaded ceramic insert, OM1
 - A8 = LC, ceramic insert, duplex, OM1
 - E4 = LC UPC, ceramic insert, duplex laser-optimized (OM3/OM4)
 - E6 = SC UPC, ceramic insert, simplex laser-optimized (OM3/OM4)
 - E7 = SC UPC, ceramic insert, duplex laser-optimized (OM3/OM4)

Note: Some product combinations using this matrix are not available. Please verify specific product availability with a Corning Customer Care Representative. For more information on the availability of special configurations, please contact Corning Customer Care.

Eclipse® Hardware Product Family

CORNING

Connect and Splice Housings ECL-C1U, ECL-C2U and ECL-D4U

Eclipse® Hardware Connect and Splice Housings provide unique scalability and enable on-frame splicing without sacrificing density. The housing may be rack-mounted in 19-in or 23-in equipment racks and is available in a variety of fiber count configurations for most connector types. All housings include mounting hardware, strain-relief clamps and jumper routing guides for a simple, all-inclusive installation.

The ECL-C1U and ECL-C2U feature a movable connector panel that slides forward and backward to provide superior access to connectors, splice trays and interior components. These housings accept two and four Eclipse Hardware connector panels or modules. The ECL-D4U features a movable splice tray holder and buffer tube slack basket. The buffer tube slack storage basket provides ample slack storage and protects the buffer tubes from pinch points. The splice tray holder allows individual splice trays to be added while minimizing disturbance to existing installed fibers. These housings accept up to 12 Eclipse Hardware connector panels or modules. Blank panels provide a finished look for unused portions. The housings also feature removable jumper waterfalls that ensure proper bend radius as the jumpers exit the housing.

Eclipse Hardware Connect and Splice housings can be ordered empty, with connector panels and adapters, with fiber pigtails, or prestubbed with a factory-tested cable assembly. Splice trays can be included with pigtailed housings or ordered separately.



ECL-D4U Connector Housing | Photo FOH194



ECL-C1U Connector Housing | Photo FOH204



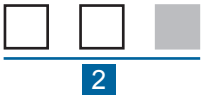
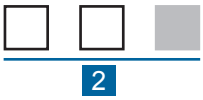
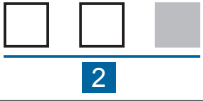
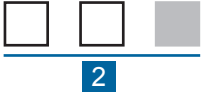



ECL-C2U Connector Housing | Photo FOH206

Connector Housings

Part Number	Maximum Number of Trays	Single-Fiber Splice Capacity	Mass Fusion Splice Capacity
ECL-C1U	(2) 0.2-in or (1) 0.4-in	24	24
ECL-C2U	(4) 0.2-in or (2) 0.4-in	48	48
ECL-D4U	(12) 0.2-in or (6) 0.4-in	144	144

Note: Splice tray SCF-ST-077 is recommended for loose tube and ribbon applications. Each SCF-ST-077 tray provides 24 single-fiber splices or 72 mass fusion splices.

Ordering Information

ECL - C1U		Connector Housing with blank panels
ECL - C1U - 12		12-Fiber Capacity Connector Housing with two 6-fiber panels equipped with specified simplex adapter type
ECL - C1U - 16		16-Fiber Capacity Connector Housing with two 8-fiber panels equipped with specified duplex adapter type
ECL - C1U - 24		24-Fiber Capacity Connector Housing with two 12-fiber panels equipped with specified duplex adapter type (available in SC duplex and LC duplex only)
ECL - C2U		2U Connector Housing with blank panels
ECL - C2U - 24		24-Fiber Capacity Connector Housing with four 6-fiber panels equipped with specified adapter type
ECL - C2U - 32		32-Fiber Capacity Connector Housing with four 8-fiber panels equipped with specified duplex adapter type
ECL - C2U - 48		48-Fiber Capacity Connector Housing with four 12-fiber panels equipped with specified duplex adapter type (available in SC duplex and LC duplex only)
ECL - CP		Connector Panel with specified number of designated adapters
ECL - BLANK		Blank Panel for housing

Notes: 1) 12-fiber SC configurations are configured with a ceramic insert duplex adapter.
2) Recommended splice trays for these housings is SCF-ST-077 (see page 14).

1 Select number of fibers per panel.

06 = 6 fibers

SC duplex and LC duplex only

08 = 8 fibers

12 = 12 fibers

2 Select adapter code.

Single-mode, UPC, RFL < 55 dB

3C = SC, ceramic insert

59 = SC, ceramic insert, duplex

11 = FC, metal insert

6T = ST compatible, threaded ceramic insert

19T = ST compatible, threaded ceramic insert

A9 = LC, ceramic insert, duplex

Single-mode, APC, RFL < 70 dB

6C = SC, ceramic insert

D9 = SC, ceramic insert, duplex

Single-mode, APC, RFL < 70 dB

B3 = LC, ceramic insert, duplex

Multimode

56 = SC, metal insert, OM1

91 = SC, metal insert, duplex, OM1

5T = ST compatible, threaded ceramic insert, OM1

15T = ST compatible, threaded ceramic insert, OM1

A8 = LC, ceramic insert, duplex, OM1

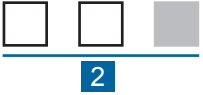
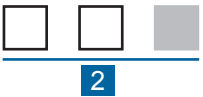
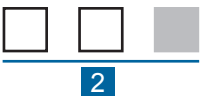

E4 = LC UPC, ceramic insert, duplex laser-optimized (OM3/OM4)

E6 = SC UPC, ceramic insert, simplex laser-optimized (OM3/OM4)

E7 = SC UPC, ceramic insert, duplex laser-optimized (OM3/OM4)

Note: Some product combinations using this matrix are not available. Please verify specific product availability with a Corning Customer Care Representative.

Ordering Information

ECL - D4U		4U Extended-Depth Connect and Splice Housing
ECL - D4U - 72		72-Fiber Capacity Extended-Depth Connect and Splice Housing with 12 6-fiber panels equipped with specified simplex adapter type
ECL - D4U - 96		96-Fiber Capacity Extended-Depth Connect and Splice Housing with 12 8-fiber panels equipped with specified duplex adapter type
ECL - D4U - E4		144-Fiber Capacity Extended-Depth Connect and Splice Housing with 12 12-fiber panels equipped with specified duplex adapter type (available in SC duplex and LC duplex only)
ECL - CP		Connector Panel with specified number of designated adapters
ECL - BLANK		Blank Panel for housing

Notes: 1) 12-fiber SC configurations are configured with a ceramic insert duplex adapter.
2) Recommended splice trays for these housings is SCF-ST-077 (see page 14).

- 1** Select number of fibers per panel.
- 06 = 6 fibers
 - SC duplex and LC duplex only**
 - 08 = 8 fibers
 - 12 = 12 fibers

2 Select adapter code.

- Single-mode, UPC, RFL < 55 dB**
- 3C = SC, ceramic insert
 - 59 = SC, ceramic insert, duplex
 - 11 = FC, metal insert
 - 6T = ST® compatible, threaded ceramic insert
 - 19T = ST compatible, threaded ceramic insert
 - A9 = LC, ceramic insert, duplex
- Single-mode, APC, RFL < 70 dB**
- 6C = SC, ceramic insert
 - D9 = SC, ceramic insert, duplex
- Single-mode, APC, RFL < 70 dB**
- B3 = LC, ceramic insert, duplex

Multimode

- 56 = SC, metal insert, OM1
- 91 = SC, metal insert, duplex, OM1
- 5T = ST compatible, threaded ceramic insert, OM1
- 15T = ST compatible, threaded ceramic insert, OM1
- A8 = LC, ceramic insert, duplex, OM1
- E4 = LC UPC, ceramic insert, duplex laser-optimized (OM3/OM4)
- E6 = SC UPC ceramic insert, simplex laser-optimized (OM3/OM4)
- E7 = SC UPC, ceramic insert, duplex laser-optimized (OM3/OM4)

Note: Some product combinations using this matrix are not available. Please verify specific product availability with a Corning Customer Care Representative. For more information on the availability of special configurations, please contact Corning Customer Care.

Eclipse® Hardware Product Family

CORNING

Eclipse® Prestubbed Hardware

Prestubbed cable solutions are designed to be used with remote or “off-the-frame” splicing locations such as in an OSE (0142_NAFTA_AEN or EVO-225-EN) or an SCF splice closure (EVO-15-EN). Some product combinations using this matrix may not be available. Please verify specific product availability with a Corning Customer Care Representative.



Eclipse Prestubbed Housing - Front
| Photo CRR1011

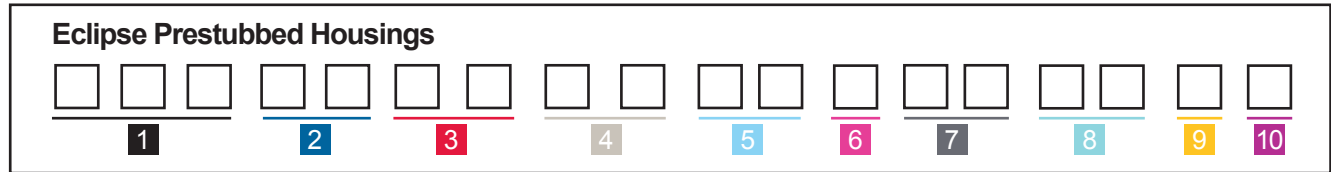
Eclipse Prestubbed Housing - Back
| Photo CRR1013

Part Number Example

Part Number	Product Description	Units per Delivery	
ECL7231063C-C7001B	Eclipse® Hardware Connector Housing, stubbed, 4 rack units, 72 F, SC UPC connectors, Ribbon riser indoor cable, Riser, top-right cable entry, 31 m, Single-mode (OS2)	1/1	

CORNING

Ordering Information



1 Select housing type (see Table A.)

EC1 = 1U Housing height
EC2 = 2U Housing height
ECL = 4U Housing height

2 Select total fiber count (for counts over 99, see Table B).

00 - 99
C0 = 120
E4 = 144

3 Select cable length in meters (1 m = 3.281 ft) (10-99 m = enter number; >99, enter alphanumeric code from Table B).

4 Select number of fibers required per panel based on connector type.

06 = FC
06 = ST® compatible connector
06 = SC simplex
08 = SC duplex
12 = SC duplex
12 = LC duplex

5 Select adapter code.

Single-mode, UPC, RFL ≤ 55 dB

3C = SC, ceramic insert
59 = SC, ceramic insert, duplex
11 = FC, metal insert
6T = ST compatible, threaded ceramic insert
A9 = LC, ceramic insert, duplex

5 Select adapter code.

Single-mode, APC, RFL < 70 dB

6C = SC, metal insert
D9 = SC, ceramic insert, duplex
B3 = LC, ceramic insert, duplex

Multimode

56 = SC PC, metal insert, OM1
91 = SC, metal insert, duplex, OM1
5T = ST compatible PC, threaded ceramic insert, OM1
A8 = LC, ceramic insert, duplex, OM1
E4 = LC UPC, ceramic insert, duplex laser-optimized (OM3/OM4)
E6 = SC UPC, ceramic insert, simplex laser-optimized (OM3/OM4)
E7 = SC UPC, ceramic insert, duplex laser-optimized (OM3/OM4)

6 Select fiber type.

- = Single-mode (OS2)
K = 62.5 μm multimode (OM1)
C = 50 μm multimode (OM2)
S = 50 μm multimode (OM4)

7 Select cable type.

900 μm coated fiber cables (6-144 fibers)

81 = MIC® riser indoor cable with TBII® buffered fiber
88 = Plenum cable with flexible TBII buffered fiber

250 μm coated fiber loose tube cables (12-288 fibers)

U4 = ALTOS® loose tube, gel-free cable
U5 = ALTOS single-armored outside plant cable, gel-free

7 Select cable type.

250 μm coated fiber loose tube cables (12-288 fibers)

U7 = ALTOS loose tube riser cable, gel-free
UF = FREEDM® loose tube riser, gel-free cable

Ribbon fiber cables (12-144 fibers)

C4 = SST-Ribbon™ all-dielectric outside plant cable
C5 = SST-Ribbon single-armored outside plant cable
C7 = Ribbon riser cable
C8 = Ribbon plenum indoor cable
CF = FREEDM Ribbon riser indoor/outdoor cable

See Note 1.

8 Select special options.

00 = Standard configuration
Dual-end connectorization = Enter appropriate adapter/connector code from Option 5 if you require the unstubbed (non-housing) end of the cable to also be connectorized.

9 Select special options.

1 = One cable
2 = Two cables with full-fiber count from Option 2 divided evenly

10 Select cable entry direction.

A = Bottom/left (default for wall-mount)
B = Top/right (default for rack mount)
C = Top/left
D = Bottom/right

See Note 2.

Notes:

1) For best lead time and prices on stubbed hardware, use standard cable types listed in Table C. Non-standard cable types are made-to-order and will require longer lead times. Please verify specific cable fiber count availability with a Corning Customer Care Representative.

2) Referenced when viewing housing from the front.

3) Some product combinations using this matrix are not available. Please verify specific product availability with a Corning Customer Care Representative. For more information on the availability of special configurations, please contact Corning Customer Care Representative.

TABLE A: Housing Types

Prefix for Space 1	Housing	Maximum Housing Dimensions (H x W x D) in	Number of Panels per Housing	Panel Type	Locking Availability	Notes
EC1	ECL-C1U	1.75 x 17.3 x 11.9	2	ECL	N/A	19- or 23-in frame
EC2	ECL-C2U	3.5 x 17.3 x 11.9	4	ECL	N/A	19- or 23-in frame
ED4	ECL-D4U	6.9 x 17.3 x 11.9	12	ECL	N/A	19- or 23-in frame
ECL	ECL-C4U	6.9 x 17.3 x 11.9	12	ECL	N/A	19- or 23-in frame

Table B: Codes for Fiber Counts and Cable Stub Lengths over 99

A_ = 10_	U_ = 28_	AN = 460	BG = 640	Examples: E4 = 144 fiber A5 = 105 m M6 = 216 m T9 = 279 m <i>Notes:</i> 1) "I" and "O" are not used. 2) Lengths from 100 to 339, use single letter plus number (1 to 9). 3) Lengths over 339 m can be ordered only in 10 m increments.
B_ = 11_	V_ = 29_	AP = 470	BH = 650	
C_ = 12_	W_ = 30_	AQ = 480	BJ = 660	
D_ = 13_	X_ = 31_	AR = 490	BK = 670	
E_ = 14_	Y_ = 32_	AS = 500	BL = 680	
F_ = 15_	Z_ = 33_	AT = 510	BM = 690	
G_ = 16_	AA = 340	AU = 520	BN = 700	
H_ = 17_	AB = 350	AV = 530	BP = 710	
J_ = 18_	AC = 360	AW = 540	BQ = 720	
K_ = 19_	AD = 370	AX = 550	BR = 730	
L_ = 20_	AE = 380	AY = 560	BS = 740	
M_ = 21_	AF = 390	AZ = 570	BT = 750	
N_ = 22_	AG = 400	BA = 580	BU = 760	
P_ = 23_	AH = 410	BB = 590	BV = 770	
Q_ = 24_	AJ = 420	BC = 600	BW = 780	
R_ = 25_	AK = 430	BD = 610	BX = 790	
S_ = 26_	AL = 440	BE = 620	BY = 800	
T_ = 27_	AM = 450	BF = 630	BZ = 810	

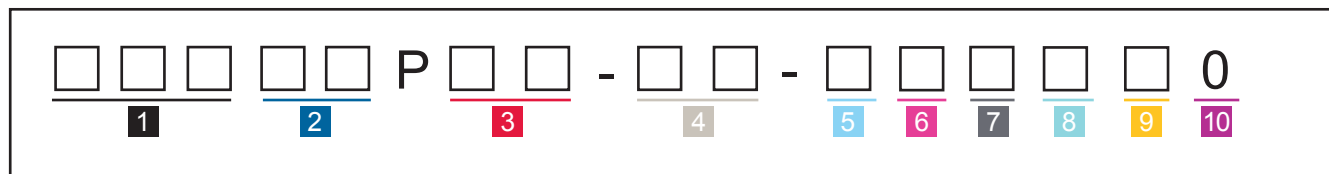
Table C: Standard Cable Types for Stubbed Hardware

Cable Type Code	Description	Fiber Count	Fiber Type
C4	SST-Ribbon™ dielectric outdoor cable	12-144	Single-mode
C7	Ribbon riser indoor cable	12-144	Single-mode
C8	Ribbon plenum indoor cable	12-144	Single-mode
U4	ALTOS® all-dielectric outside plant cable	12-288	Single-mode
81	MIC® riser indoor cable with TBII® buffered fiber	24-144	Single-mode
CF	FREEDM® ribbon riser indoor/outdoor cable	12-144	Single-mode
UF	FREEDM indoor/outdoor cable	12-288	Single-mode
U7	ALTOS riser cable	12-288	Single-mode

TABLE D: Pigtailed Housing Types

Prefix for Space 1	Housing	Housing Dimensions (H x W x D) in	Maximum Number of Panels per Housing	Splice Tray Options	Locking Availability	Notes
EC1	ECL-C1U	1.75 x 17.3 x 11.9	2	2 type 2S, 1 type 4S	N/A	19- or 23-in frame
EC2	ECL-C2U	3.5 x 17.3 x 11.9	4	4 type 2S, 2 type 4S	N/A	19- or 23-in frame
ED4	ECL-D4U	6.9 x 17.3 x 11.9	12	12 type 2S, 6 type 4S	N/A	19- or 23-in frame

Ordering Information



1 Select housing type (see Housing Options table D).
 EC1 = 1U
 EC2 = 2U
 ED4 = 4U

2 Select total fiber count (0-99 fibers enter number; >99, enter alphanumeric code from Table B).

3 Select number of fibers required per panel based on connector type
 06 = FC
 06 = ST® compatible
 06 = SC simplex
 08 = SC duplex
 12 = SC duplex
 12 = LC duplex

4 Select adapter code.
 See page 10 (selection 5).

5 Select pigtail length in meters (1 m = 3.281 ft) (0-9 m, enter number; 9
Examples:
 1 = 1 m
 3 = 3 m (standard)
 9 = 9 m (maximum allowed)

6 Select mode of operation.
 R = Single-mode (OS2)
 K = 62.5 µm multimode (OM1)
 C = 50 µm multimode (OM2)
 S = 50 µm multimode (OM4)

7 Select pigtail type.
 H = MIC® jacketed cable, buffered fiber
 J = Ribbon
 N = 900 µm

8 Select number of splice trays (enter number 0-9, 9+ see Table A).
Examples:
 6 = 6 trays
 C = 12 trays
 See Note 1.

9 Select splice tray type.
 0 = No trays
 A = M67-041
 F = M67-048
 L = M67-076
 P = M67-078
 R = SCF-ST-077 (recommended)
 U = UST-024
 See Note 2.

10 Defines lock option.
 0 = No lock

Notes:

- 1) See splice tray options table for splice tray capacity and splice-type information.
- 2) For ECL housing select "0". For all other Eclipse® Hardware housings, use SCF-ST-077 (recommended) or any of the other listed trays. Splice tray specifications can be found on page 15.
- 3) Some product combinations using this matrix are not available. Please verify specific product availability with a Corning Customer Care Representative. For more information on the availability of special configurations, please contact Corning Customer Care Representative.

Ordering Information

Preconfigured Part Numbers (Pigtailed)	
Part Number	Description
EC248P12-D9-3RH2R0	48-Fiber Housing, SC APC duplex, 3 m tails, 900 µm MIC Cable, (two) SCF-ST-077 splice trays
ED4E4P12-D9-3RJ2R0	144-Fiber Housing, SC APC duplex, 3 m tails, 12-fiber ribbon, (two) SCF-ST-077 splice trays
ECL72P06-6C-3RH000	72-Fiber Housing, SC APC, 3 m tails, 900 µm MIC Cable
ED4E4P12-D9-3RH6R0	144-Fiber Housing, SC APC duplex, 3 m tails, 900 µm MIC Cable, (six) SCF-ST-077 splice trays
EP412P12-D9-3RH000	12-Fiber Pigtailed Panel, SC APC duplex, 3 m pigtails, 900 µm MIC Cable

Notes:

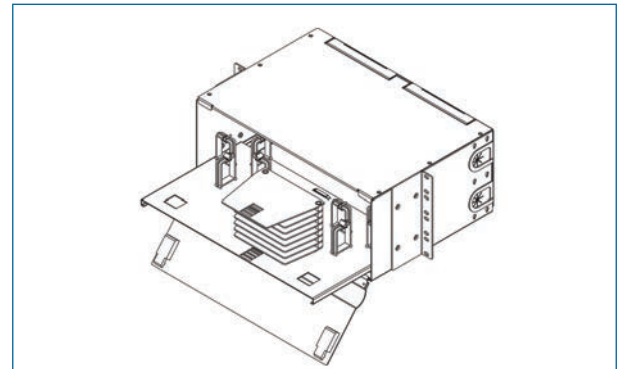
- 1) Pigtailed hardware solutions are typically ordered when "on-the-frame" splicing is desired (see ECL-S4U on page 14.
- 2) Refer to literature code 0169_NAFTA_AEN (EVO-379-EN) for additional information on ordering pigtailed hardware.

Eclipse® Hardware Product Family

CORNING

Splice Housings

The Eclipse® hardware splice housing (ECL-S4U) is compatible with a wide variety of Corning splice trays. The Eclipse hardware splice housing features a sturdy front door and a slide-out splice shelf with large routing clips for routing and storing buffer tubes. Each splice housing occupies four rack spaces (4U).



ECL-S4U-F Splice Housing
| Drawing ZA-1545

Splice Housings



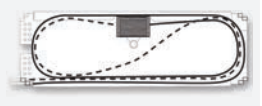

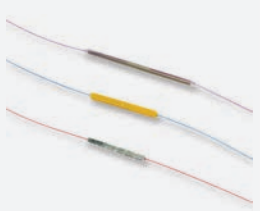
Part Number	Dimensions (HxWxD)	Shipping Weight
ECL-S4U	17.5 cm x 43.9 cm x 30.2 cm (6.9 in x 17.3 in x 11.9 in)	6.4 kg (14.1 lb)

Part Number	Description
ECL-S4U	Splice Housing with capacity for (12) 0.2-in-tall splice trays
ECL-S4U-F	Splice Housing with capacity for (six) 0.4-in-tall splice trays

Note: Splice trays must be ordered separately. Recommended for splicing 900 µm MIC® Ribbon Cable applications.

CORNING

Accessories

Part Number	Product Description	Units per Delivery	
2806031-01	Heat-Shrink Fusion Splice Protector Parts, single-fiber, 60 mm long (package of 50)	50/1	
2806031-012	Heat-Shrink Mass Splice Protector parts, 6- or 12-fiber ribbon, 40 mm long (package of 50)	25/1	
M67-041	Splice Tray, RTV splices, 0.2-in, 12 F	1/1	
M67-048	Splice Tray, heat-shrink fusion splices, 0.2-in, 12 F	1/1	
M67-076	Splice Tray, mass fusion splices or heat-shrink fusion splices, 0.4-in; six mass fusion splices or 12 heat-shrink fusion splices	1/1	
M67-078	Splice Tray, heat-shrink fusion splices, wide, 0.4-in, 24 F	1/1	
SCF-ST-077	Splice Closure Fiber (SCF) Tray, 0.4-in, 48 heat-shrink single-fiber splices or six mass fusion splices	1/1	
UST-024	Universal Splice Tray (organizers included for RTV fusion, heat-shrink fusion, mass fusion and mechanical splices) Type 4A; 24-splice capacity	1/1	
2806032-01	Heat-Shrink Fusion Splice Protector Parts, single-fiber, 40 mm long (package of 50)	50/1	

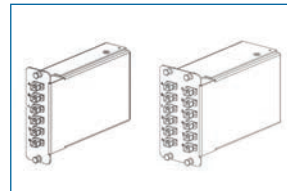
* Note: Other splice trays are also available.

Eclipse® Hardware Product Family

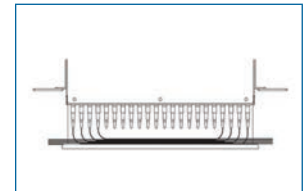
CORNING

Optical Splitter and WDM Products

Corning offers the Eclipse® Hardware coupler module and the coupler/splitter shelf to accommodate splitters and CWDMs in the Eclipse Hardware system. Please refer to literature code 0205_NAFTA_AEN (old EVO-411-EN) for additional information on passive optical components.



ECL and EC2 | Drawings
ZA-1542 and ZA-1910

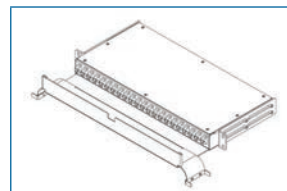


Eclipse 01U
| Drawing ZA-3489

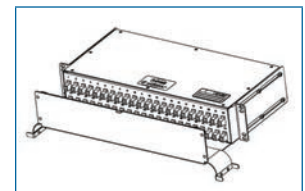
Optical Splitter Modules

The Eclipse Hardware coupler/splitter module was designed for use with the Eclipse Hardware connector housing (ECL-C4U) and is available with any combination of adapter or connectorized pigtail interfaces.

The Eclipse hardware coupler/splitter module is a single-width module that provides up to six input/output ports. A double-width Eclipse hardware coupler/splitter module (EC2) is also available to accommodate up to 12 input/output ports. Each Eclipse hardware connector housing houses up to 12 single-wide or six double-wide modules. The single- and double-width modules may be combined in a single housing.



HD Shelf with SC Adapters



Eclipse 02U
| Drawing ZA-3490

Optical Splitter Shelves

For larger coupler designs, Corning offers the Eclipse Hardware high-density coupler/splitter shelf. The single rack-height (1U) shelf provides up to 22 simplex adapter ports and 34 ports with SC duplex or pigtail inputs and outputs. Similarly, the double-high (2U) shelf provides 44 simplex adapter ports and 68 ports with SC duplex or pigtail inputs and outputs. Both shelves are 19- and 23-in rack-mountable and feature a slide-forward design for easy access to optical jumpers and pigtails. Optimized for FTTx wavelengths, the 1U MUX shelf (ECS-096C-T) provides nine 2x1 or 1x2 CWDMs with low-loss performance on the targeted 1310/1490 and 1550nm channels. The 9-device shelf matches the feed requirements of the 288-fiber Gen III FTTx solution presented on page 17.

Optical Splitter and WDM Products

Letter Code	Module	Package Size H x W x D (in)	Coupler/Splitter Module Housing Part Number
EM	Single-wide module	5.10 x 1.37 x 6.70	ECL-C4U – 12 modules/housing
ED	Double-wide module	5.10 x 2.76 x 6.69	ECL-C4U – 6 modules/housing
ES	1U Shelf	1.70 x 16.91 x 12	Fits 19- or 23-in racks
EH	2U Shelf	3.40 x 16.90 x 12	Fits 19- or 23-in racks

Note: Refer to literature code 0205_NAFTA_AEN (old EVO-411-EN) for additional ordering information on passive optical components.

Eclipse® Hardware Specialized CWDM Components

Part Number	Component	Wavelength Range (nm)	Description
ECS-096C-T	Triplexer 1310/1490/1550	1310 ± 50 1490 ± 15 1550 ± 15	Black 1U shelf, includes 9 CWDM devices
ECS-066CT1590	Quadplexer 1310/1490/1550/1590	1310 ± 50 1490 ± 15 1550 ± 15 1590 ± 6.5	Black 1U shelf, includes 6 CWDM devices
ECS-066CT1580-1620	Quadplexer 1310/1490/1550/1580/1620	1310 ± 50 1490 ± 15 1550 ± 10 1610 ± 6.5	Black 1U shelf, includes 6 CWDM devices
ECS-066CT1610	Quadplexer 1310/1490/1550/1610	1310 ± 50 1490 ± 15 1550 ± 15 1610 ± 6.5	Black 1U shelf, includes 6 CWDM devices
CA16C01TZZUN	Quadplexer 1310/1490/1550/1610	1310 ± 50 1490 ± 15 1550 ± 15 1610 ± 6.5	Eclipse single-wide module with (1) CWDM device

Note: Refer to EVO-427-EN for additional ordering information on CWDM components.

Preconfigured Part Numbers

Part Number	Description
ESS1AA6C0D901132	Eclipse Hardware 1U shelf with one 1x32 coupler/splitter, SC APC adapters

Eclipse® Hardware Product Family

CORNING

Gen III FTTx Housings

The unique design of the Eclipse® Hardware Gen III FTTx module housing provides the ability to install up to nine OptiTect® Local Convergence Cabinet, Gen III splitter modules in a 4U rack-mounted housing. The module housing also supports two SC connector parking lot panels and a 12-fiber connector panel loaded with six SC APC duplex adapters. This configuration, along with a jumper panel to support horizontal fiber management, provides a 288-fiber solution in either a 13U or 14U space that can be repeated to create a complete FTTx 864-fiber solution in a standard 7-ft rack.



Eclipse Hardware Gen III Housing
| Photo ICH302

Connector Housings

The foundation of the Eclipse Hardware Gen III FTTx solution is the standard connector housing (ECL-C4U). These robust, steel housings hold up to 12 panels allowing multiple combinations of splitters, parking lot panels and adapters.

SC Connector Parking Lot Panels

Unused splitter outputs can be permanently or temporarily stored in the integrated termination storage panel. This parking lot panel can be configured to utilize the enhanced 1x32 splitter parking clip. Unused splitter outputs can also be stored in a 2U rack-mount housing. The Eclipse Hardware enhanced parking lot shelf holds two 1x32 splitter parking clips and includes spools for slack storage.

Splitter Adapter Panels

This adapter panel holds the Gen III splitter module or the LS Series splitter module. The 1x32 and 1x64 splitter modules are designed to meet applicable sections of Telcordia GR-1209-CORE and GR-1221-CORE and feature connectorized inputs and outputs.



Connector Panels

The connector panel should be ordered with six or 12 SC APC adapters per panel.

Jumper Management Panels

A 1U jumper management panel should be placed directly above the splitter housing. This jumper panel routes splitter outputs through the top and out to the vertical fiber management.

Gen III FTTx Module Housing and Panels

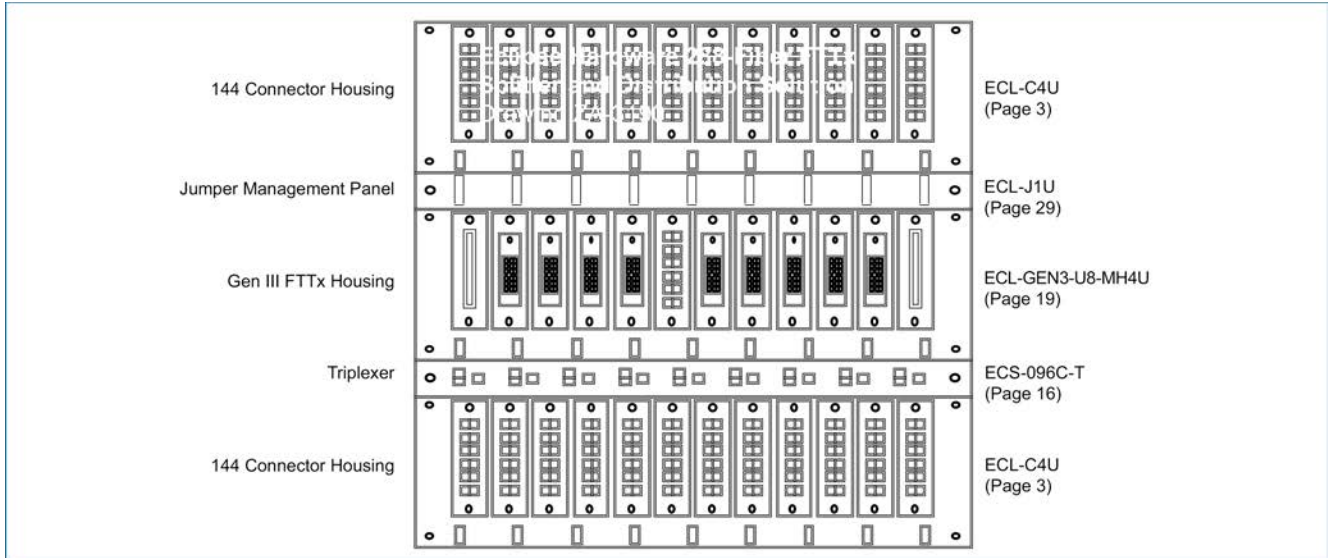
Part Number	Dimensions (HxWxD)	Shipping Weight
ECL-C4U	17.5 cm x 43.9 cm x 30.2 cm (6.9 in x 17.3 in x 11.9 in)	5.9 kg (13.0 lb)

Part Number	Description
ECL-C4U	Eclipse® Hardware module housing
UMB1CC6CZ6C21132	Gen III FTTx 1x32 splitter module - SC APC inputs/outputs
ECL-CP12-D9	Eclipse® Hardware 12-fiber connector panel loaded with six SC APC duplex adapters
ECL-BLANK	Blank panel for housings
ECL-GEN3-U8-MH4U	Eclipse Hardware Gen III 288-module housing with: (one) ECL-C4U, (one) ECL-CP12-D9, (two) ECL-CP-SCPARK, (nine) ECL-UMB-MOD

Note: Refer to literature code EVO-613-EN for additional ordering information on the Gen III FTTx 1x32 and 1x64 splitter modules. Refer to literature code EVO-411-EN for information on passive optical components.

Eclipse® Hardware Product Family

CORNING



Eclipse Hardware 288-Fiber FTTx Splitter and Distribution Solution | Drawing ZA-3190

CORNING

Eclipse® Hardware Product Family

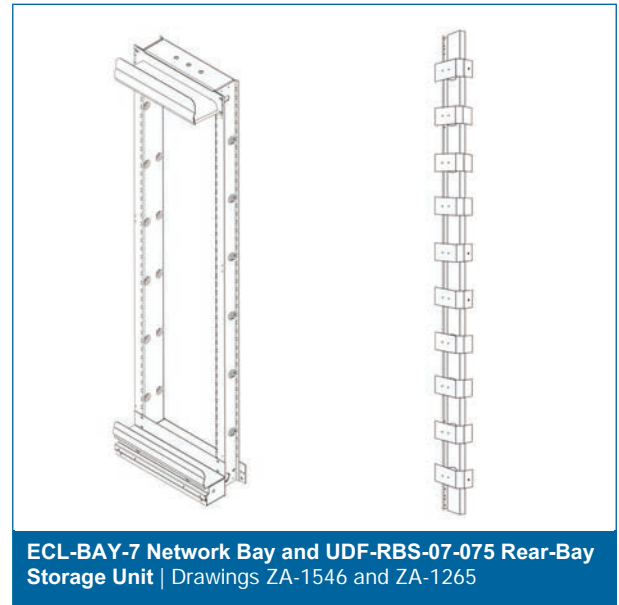
CORNING

Eclipse® Hardware Network Bay Frames

The Eclipse Hardware network bay frame is designed around a 19-in spaced unequal flange frame with wide flange side (front) and narrow flange side (rear). Each 7-ft frame will accommodate a total of 44 units or rack spaces. A zone 4-rated frame is also available. For Eclipse Hardware compatible frames and hardware in a 23-in option, see the UDF frame section starting on page 24.

Eclipse top and bottom troughs are available in 23-in and are UDF frame compatible. See page 23.

Eclipse frames are compatible with Newton Instrument Co. insulator pad 0041170010.



Specifications

Part Number	Description
ECL-BAY-7	7-ft, 19-in bay (includes frame and top and bottom jumper troughs)
ECL-BAY-7-Z4	7-ft, 19-in EIA bay; Zone 4-rated (includes frame and 2U top and bottom jumper troughs)

Note: Order housings for termination and splicing separately.

Eclipse® Network Bay Frames

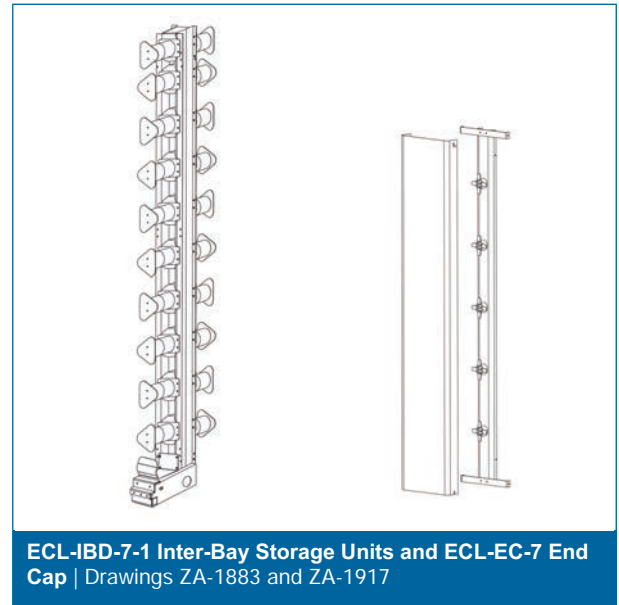
Part Number	Dimensions (HxWxD)	Dimensions (A)	Dimensions (B)	Weight
ECL-BAY-7	213.4 cm x 55.6 cm x 24.4 cm (84 in x 21.9 in x 9.6 in)	44.45 cm (17.50 in)	46.50 cm (18.31 in)	90.7 kg (200 lb)
ECL-BAY-7-Z4	213.4 cm x 55.6 cm x 24.4 cm (84 in x 21.9 in x 9.6 in)	44.45 cm (17.50 in)	38.90 cm (18.31 in)	90.7 kg (200 lb)

Eclipse® Inter-Bay Storage Units and End Caps

The ECL-IBD offers an innovative new approach to fiber management in the Eclipse Hardware frame system. This dual-sided inter-bay unit features nine routing hubs on both the front and rear with fiber pass-through access throughout. When installed next to a hardware bay unit, a rear channel is available for routing cables to patch panels located in the bay. As with other hardware products, the ECL-IBD protects fiber bend radius throughout the unit, ensuring fiber performance and signal integrity.

The ECL-EC-7 offers fiber storage within the end cap through a shell design. The outer shell of the unit offers a finished appearance while the inner shell is equipped with routing hubs for storage and routing of fiber. This unit may be mounted to the ECL-IBD unit only.

All Eclipse hardware is focused on a 7-ft solution. If another solution is needed, please refer to our UDF solution on page 24.



Part Number	Description	Dimensions (HxWxD)
ECL-IBD-7-1	Eclipse Inter-Bay Storage Unit, with dual-sided mandrels with triangular caps	213.4 cm x 12.1 cm x 15.2 cm
ECL-EC-7	Eclipse 7-ft End Cap for use with ECL-IBD-7-1	213.4 cm x 8.9 cm x 39.1 cm

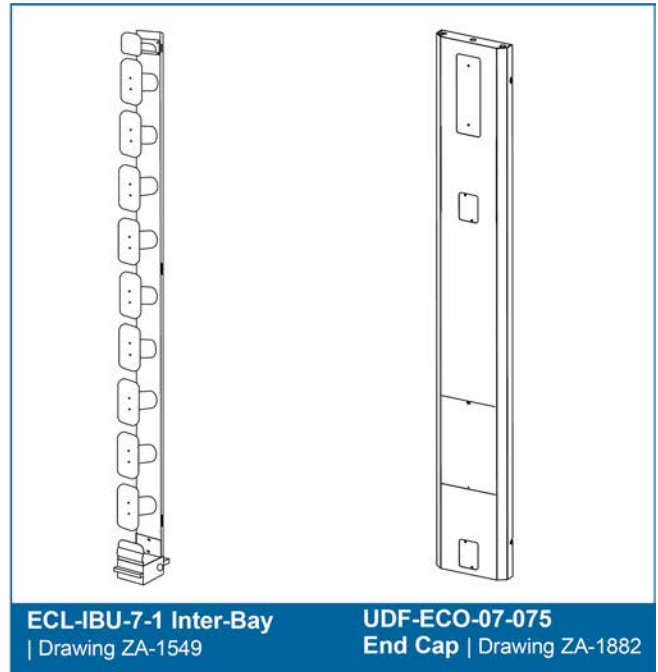
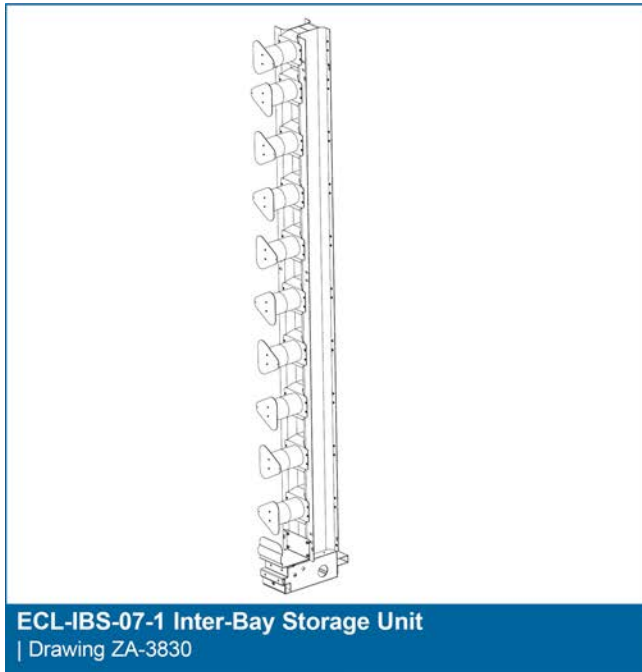
Eclipse® Hardware Product Family

CORNING

Eclipse® Inter-Bay Storage Units and UDF End Caps

The Eclipse Hardware System includes two inter-bay storage (IBS) units designed to route and manage jumpers within a bay line-up. The ECL-IBS is designed for fiber management on the front of the bay lineup only.

End cap units in the Eclipse Hardware product family offer a finished appearance to a UDF hardware bay lineup. The UDF-ECO includes cutouts which enable easy installation of light switches and alarm/indicator lamps. It may be mounted to the UDF-BAY frames or UDF-IBS units.



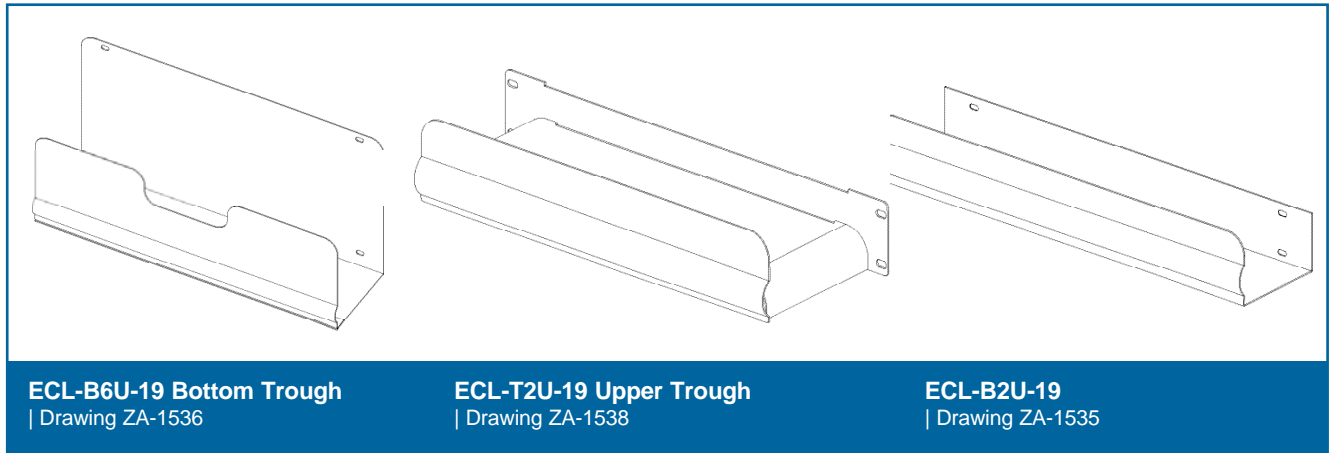
Part Number	Description	Dimensions (HxWxD)
ECL-IBS-7-1	Eclipse Hardware Inter-Bay Storage Unit, ACS with single-sided mandrels with triangular caps	213.4 cm x 12.1 cm x 15.2 cm
ECL-IBU-7-1	Eclipse Hardware Inter-Bay Storage Unit with 2U jumper trough with single-sided mandrels with oblong caps	213.4 cm x 12.1 cm x 15.2 cm
UDF-ECO-07-075	Eclipse Hardware 7-ft End Cap	213.4 cm x 7.6 cm x 30.5 cm

Eclipse® Hardware Product Family

CORNING

Jumper Troughs

The Eclipse® Hardware Network Bay is equipped with default top and bottom jumper troughs: 19-in, 2-rack-space tall troughs. However, several other troughs are available for different frame configurations.



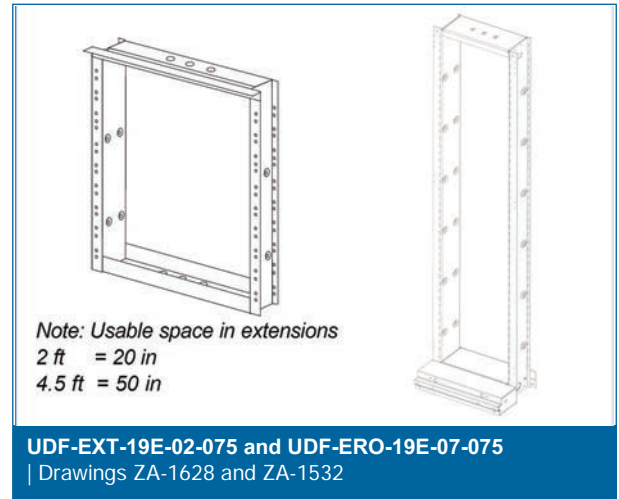
Part Number	Description
ECL-T2U-19	Top Jumper Trough, 2-rack-space tall (2U), 19 in
ECL-T2U-23	Top Jumper Trough, 2-rack-space tall (2U), 23 in
ECL-B2U-19	Bottom Jumper Trough, 2-rack-space tall (2U), 19 in
ECL-B2U-23	Bottom Jumper Trough, 2-rack-space tall (2U), 23 in

Note: For additional jumper management solutions, see pages 29-30.

CORNING

Unequal Distribution Flanges (UDF)

The versatility of the Eclipse® hardware product family may be optimized through the use of Corning unequal distribution flange (UDF) frames and components. The UDF family offers EIA standard 19- and 23-in frames in 7- and 8-ft configurations that may be expanded into 9- and 11.5-ft frame applications. All UDF components are painted wrinkle black, matching the Eclipse hardware product line for maximum aesthetic appeal.



Network Bay Frames		
Part Number	Description	Dimensions (HxWxD)
UDF-BAY-19E-07-075	19-in Unequal Flange Frame; 7 ft, EIA	213.4 cm x 55.6 cm x 24.4 cm (84 in x 21.9 in x 9.6 in)
UDF-BAY-19E-07-Z75	19-in Unequal Flange Frame; 7 ft, EIA, Zone 4	213.4 cm x 55.6 cm x 24.4 cm (84 in x 21.9 in x 9.6 in)
UDF-BAY-23E-07-Z75	23-in Unequal Flange Frame; 7 ft, EIA, Zone 4	213.4 cm x 65.8 cm x 25.7 cm (84 in x 25.9 in x 10.1 in)
UDF-BAY-23E-07-075	23-in Unequal Flange Frame; 7 ft, EIA	213.4 cm x 55.6 cm x 24.4 cm (84 in x 21.9 in x 9.6 in)

Network Bay Frame Extensions		
Part Number	Description	Dimensions (HxWxD)
UDF-EXT-19E-02-075	19-in Unequal Flange Frame Extension; 2 ft	60.9 cm x 55.6 cm x 24.4 cm (24 in x 21.9 in x 9.6 in)
UDF-EXT-19E-04-075	19-in Unequal Flange Frame Extension; 4.5 ft	137 cm x 55.6 cm x 24.2 cm (54 in x 21.9 in x 9.6 in)
UDF-EXT-23E-02-075	23-in Unequal Flange Frame Extension; 2 ft	60.9 cm x 65.8 cm x 25.7 cm (24 in x 25.9 in x 10.1 in)

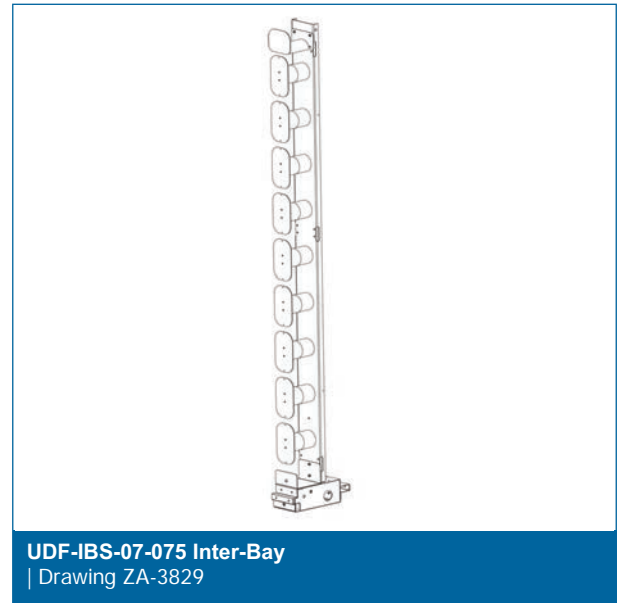
Notes:

- 1) 2-ft extension has 10U of usable rail space; 4.5-ft extension has 26U of usable rail space.
- 2) UDF frames are compatible with Newton Instrument Co. insulator pad 0041170010 for 19-in frames and insulator pad 0041180010 for 23-in frames.
- 3) UDF bays include standard UDF troughs instead of Eclipse Hardware troughs.

UDF Inter-Bay Storage Units

The UDF-IBD offers an innovative approach to fiber management in the Eclipse® Hardware frame system. This dual-sided inter-bay unit features nine routing hubs on both the front and rear with fiber pass-through access throughout. When installed next to a UDF hardware bay unit, a rear channel is available for routing cables to patch panels located in the bay. As with other UDF hardware products, the UDF-IBD protects fiber bend radius throughout the unit, ensuring fiber performance and signal integrity.

Inter-bay storage units are available in 7- and 8-ft sizes with 2- and 4.5-ft extensions available.



Inter-bay Storage Units		
Part Number	Description	Dimensions (HxWxD)
UDF-IBS-07-075	7-ft Inter-Bay Storage Unit, front management only	213.4 cm x 12.1 cm x 15.2 cm 84 in x 5 in x 6 in
UDF-IBS-08-075	8-ft Inter-Bay Storage Unit, front management only	243.8 cm x 12.1 cm x 15.2 cm 96 in x 5 in x 6 in
UDF-IBD-07-075	7-ft Dual-Sided Inter-Bay Storage Unit, front and rear management	213.4 cm x 12.7 cm x 38.9 cm 84 in x 8 in x 15.4 in
UDF-IBD-08-075	8-ft Dual-Sided Inter-Bay Storage Unit, front and rear management	243.8 cm x 12.7 cm x 38.9 cm 96 in x 5 in x 15.4 in

Inter-Bay Storage Unit Extensions		
Part Number	Description	Dimensions (HxWxD)
UDF-IBE-02-075	2-ft Inter-Bay Storage Unit Extension, front management only	60.9 cm x 12.1 cm x 15.2 cm 24 in x 5 in x 6 in
UDF-IBE-04-075	4.5-ft Inter-Bay Storage Unit Extension, front management only	137 cm x 12.1 cm x 15.2 cm 54 in x 5 in x 6 in
UDF-IBD-02-075	2-ft Dual-Sided Inter-Bay Storage Unit Extension, front and rear management	60.9 cm x 12.7 cm x 38.9 cm 24 in x 5 in x 15.4 in
UDF-IBD-04-075	4.5-ft Dual-Sided Inter-Bay Storage Unit Extension., front and rear management	137 cm x 12.7 cm x 38.9 cm 54 in x 5 in x 15.4 in

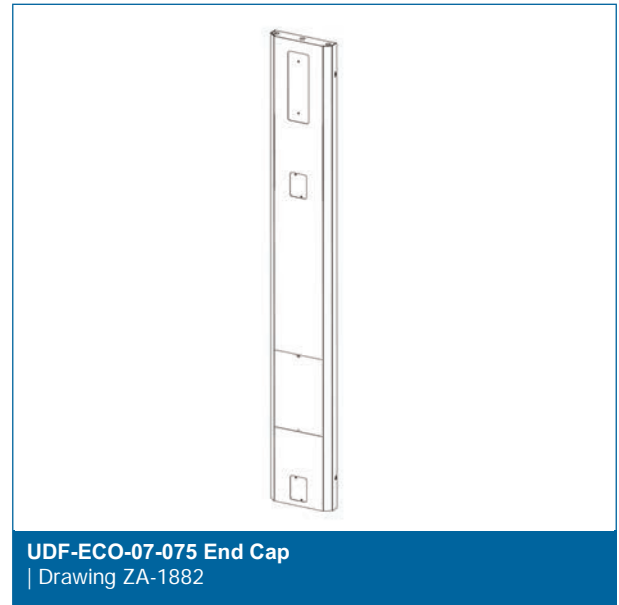
Eclipse® Hardware Product Family

CORNING

End Caps

End cap units in the Eclipse® Hardware product family offer a finished appearance to a UDF hardware bay lineup.

The UDF-ECO includes cutouts which enable easy installation of light switches and alarm/indicator lamps. It may be mounted to the UDF-BAY frames or to the ECL-IBS units.

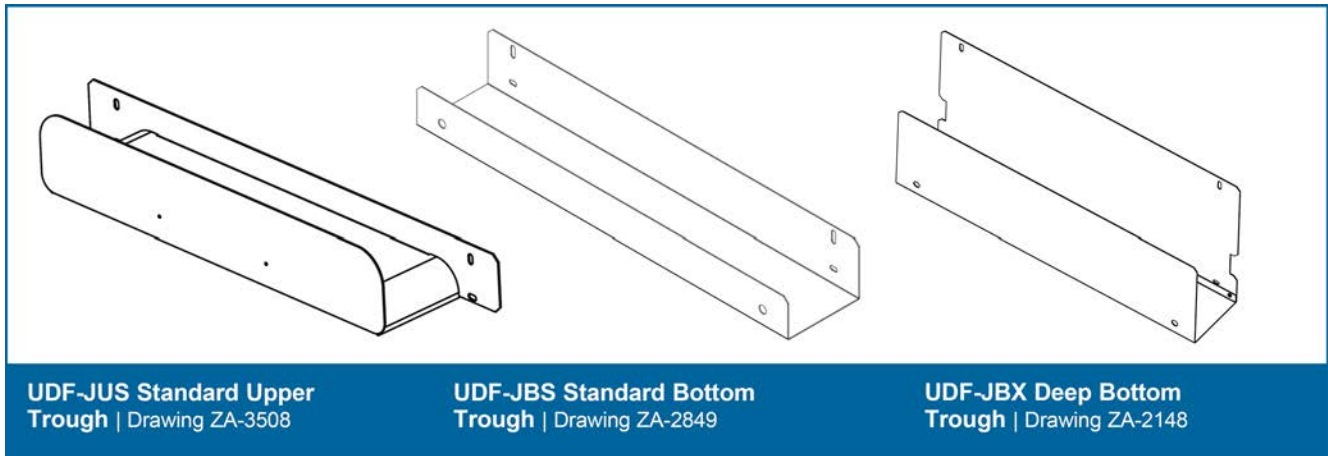


End Caps		
Part Number	Description	Dimensions (HxWxD)
UDF-ECO-08-075	8-ft End Cap	243.9 cm x 7.6 cm x 30.5 cm (96 in x 3 in x 12 in)

CORNING

Jumper Troughs

The Eclipse® Hardware network bay is compatible with the UDF jumper trough. Several other troughs are available for different frame configurations.



Part Number	Description	Dimensions (HxWxD)
UDF-JUS-19-075	Standard Upper Trough for 19-in frame	10.1 cm x 55.4 cm x 12.7 cm (3.97 in x 21.8 in x 5 in)
UDF-JBS-19-075	Standard Bottom Trough for 19-in frame	8.8 cm x 55.4 cm x 12.7 cm (3.47 in x 21.8 in x 5 in)
UDF-JBX-19-075	Deep Bottom Trough for 19-in frame	29.1 cm x 55.4 cm x 12.7 cm (11.5 in x 21.8 in x 5 in)
UDF-JUS-23-075	Standard Upper Trough for 23-in frame	10.1 cm x 65.6 cm x 12.7 cm (3.97 in x 25.8 in x 5 in)
UDF-JBS-23-075	Standard Bottom Trough for 23-in frame	8.8 cm x 55.4 cm x 12.7 cm (3.47 in x 25.8 in x 5 in)

Blank Rack Panels

Blank rack panels mount in the UDF hardware frame, providing a finished appearance and allotting space for future growth.

Part Number	Description
BRP-19-1-75	Blank 19-in Rack Panel, 1 rack space
BRP-19-2-75	Blank 19-in Rack Panel, 2 rack spaces
BRP-19-3-75	Blank 19-in Rack Panel, 3 rack spaces
BRP-19-4-75	Blank 19-in Rack Panel, 4 rack spaces
BRP-19-5-75	Blank 19-in Rack Panel, 5 rack spaces
BRP-23-3-75	Blank 23-in Rack Panel, 3 rack spaces
BRP-23-4-75	Blank 23-in Rack Panel, 4 rack spaces
BRP-23-5-75	Blank 23-in Rack Panel, 5 rack spaces

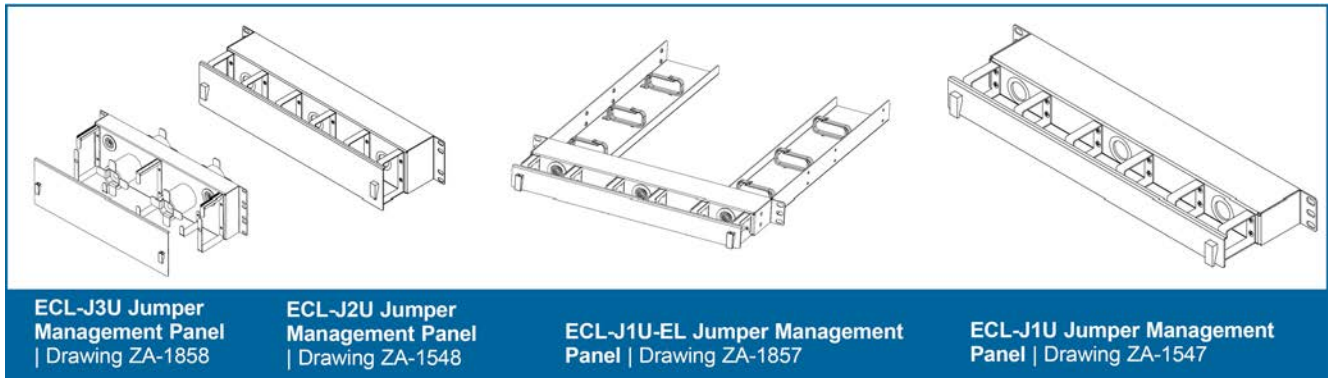


Jumper Management Panels

The Eclipse® Hardware jumper management panels provide intrabay jumper management and storage. When used with the ECL-C4U housing, they enable vertical jumper routing through both the top and bottom of the housing. They also feature rubber grommeted pass-through ports for routing jumpers to the rear of the frame.

The Eclipse Hardware electronics jumper management panel (ECL-J1U-EL) was developed for use with rear-output transmission equipment and features rear extensions for supporting and routing fiber to the front of the bay.

The ECL-J3U is ideal for systems requiring additional fiber storage within the rack. The J3U features routing and storage hubs on both the front and rear of the unit, as well as rubber grommeted pass-through ports.



Part Number	Description
ECL-J1U	Jumper Management Panel, 1 rack space (1U)

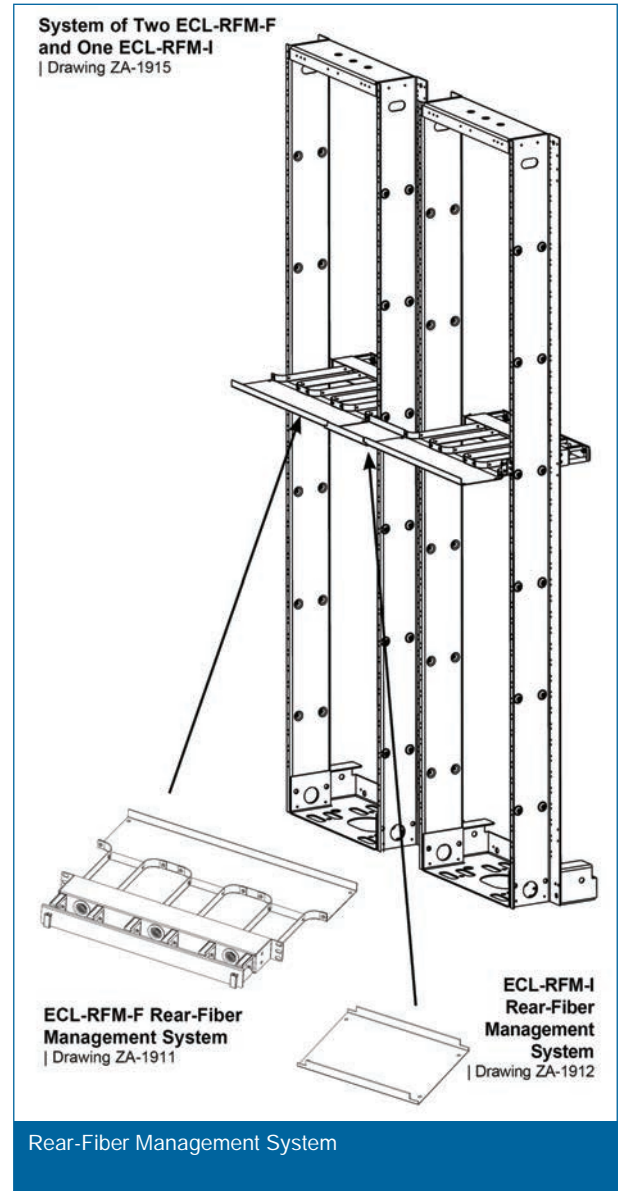
Rear-Fiber Management System

The Eclipse® hardware rear-fiber management system is a unique trough system designed to facilitate jumper routing on the rear of an Eclipse hardware bay lineup. The system is composed of two units: the frame section, ECL-RFM-F, and the inter-bay unit section, ECL-RFM-I.

The ECL-RFM-F is composed of a single rack-height jumper management panel which feeds a rear-routing trough through each of its three rubber grommets pass-through ports.

The ECL-RFM-I mounts behind an inter-bay storage unit (ECL-IBU-7-1) and acts as a connection between adjacent ECL-RFM-F units (see the diagram).

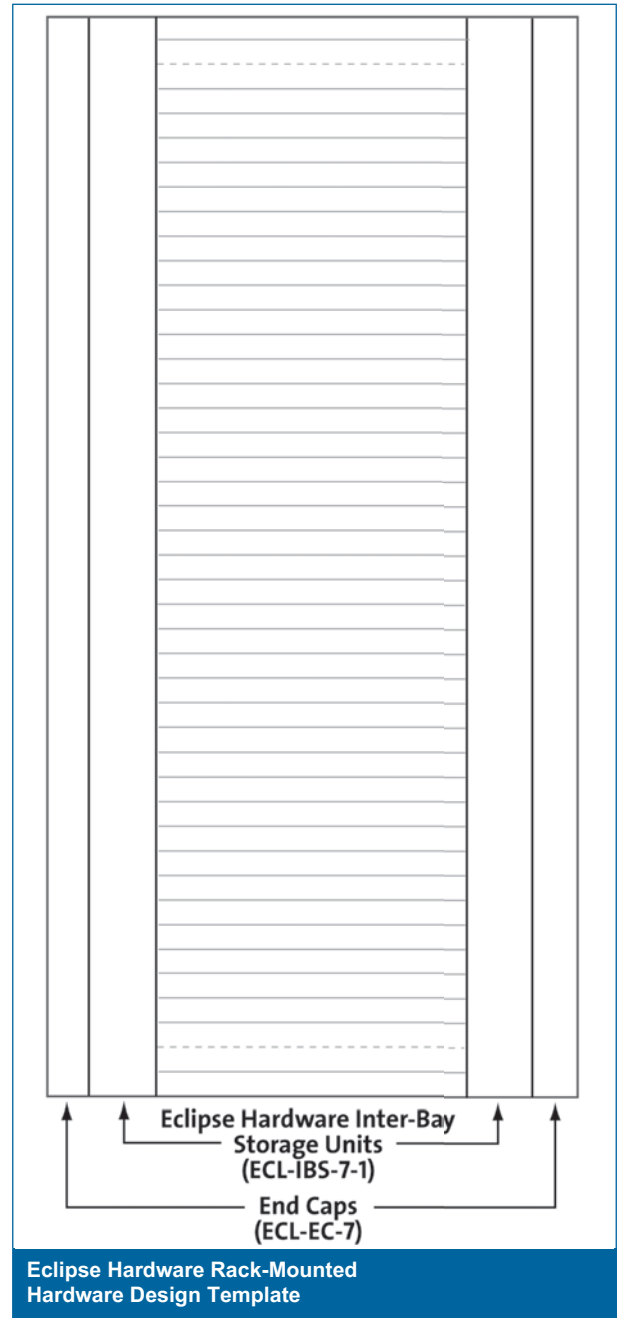
When installed in an Eclipse hardware bay lineup, this system enhances fiber management and routing on both the front and rear of the bays. Additionally, for higher-density systems, the rear-fiber management system is ideally used at several points in the frames as a multilevel approach to routing and expressing fiber on the rear of the frames in order to reduce fiber congestion on the front of the lineup.



Part Number	Description
ECL-RFM-F	Rear-Fiber Manager, frame section, 1 rack space (1U)
ECL-RFM-I	Rear-Fiber Manager, IBU section, 1 rack space (1U), for use with inter-bay storage units (IBUs)

Eclipse Hardware Rack-Mounted Hardware Design Template

The following template may be used to assist in designing a system rack layout. The rack shown is a 7-ft, 44-rack-space frame. If the UDF-BAY configuration is used in design, the rack would require the top and bottom two rack spaces for the top and bottom jumper troughs, equaling 40 rack units remaining.



Eclipse® Hardware Product Family

CORNING

The Eclipse® Hardware wall-mountable connector housings provide interconnect or cross-connect capabilities between the outside plant, riser or distribution cables and the opto-electronics. The units are ideal in applications that require low-fiber-count distribution (school systems, public libraries and businesses) and are available in two sizes: the 3-panel housing and the 6-panel housing.

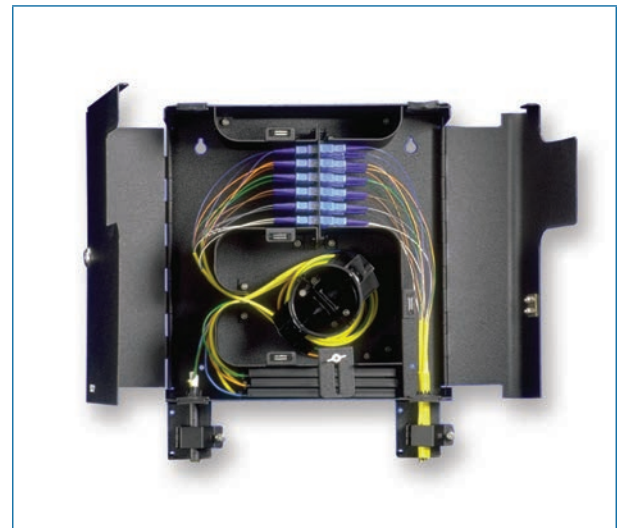
The Eclipse Hardware family of wall-mountable connector housings were designed with controls that maintain the fiber bend radius throughout the unit on the segregated customer and provider sides. Locks are available on both the customer and provider doors for added security.

Additionally, the Eclipse Hardware family of wall-mountable connector housings utilize the Eclipse Hardware connector panels, which are available in four, six, eight, 10 and 12 termination capacities (10- and 12-fiber panels in SC connector type only). With the varied selection of panels, installers can customize the wall-mountable housing to best meet the needs of a particular application.

The wall-mountable connector housings are available empty, with adapter panels, or with pigtailed panels and splice trays for splicing within the unit.



ECL-W3P-L Wall-Mountable Housing
| Photo ICH147



Open ECL-W3P-L Wall-Mountable Housing
Showing Customer and Provider Access | Photo ICH149

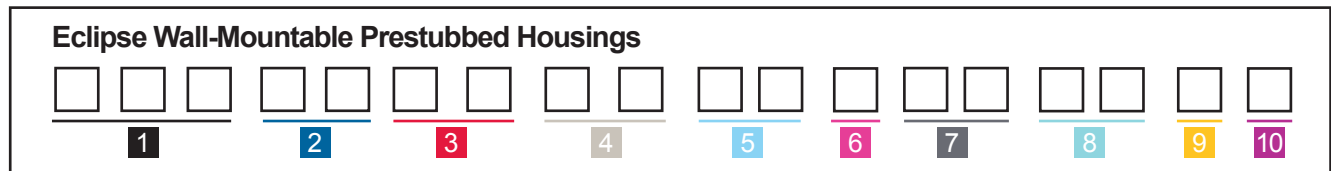
Ordering Information

Part Number	Dimensions (HxWxD)	Shipping Weight
ECL-W3P	33.0 cm x 30.5 cm x 10.8 cm (13.0 in x 12.0 in x 4.25 in)	3.2 kg (7 lb)
ECL-W6P	52.7 cm x 30.5 cm x 10.8 cm (20.75 in x 12.0 in x 4.25 in)	5 kg (11 lb)

CORNING

Wall-Mountable Housings

Ordering Information



1 Select housing type (see Table A.)
 EW3 = 3 panel unit
 EW6 = 6 panel unit

2 Select total fiber count (for counts over 99, see Table B).
 00 - 72

3 Select cable length in meters (1 m = 3.281 ft) (10-99 m = enter number; >99, enter alphanumeric code from Table B).

4 Select number of fibers required per panel based on connector type.
 06 = FC
 06 = ST® compatible connector
 06 = SC simplex
 08 = SC duplex
 12 = SC duplex
 12 = LC duplex

5 Select adapter code.
Single-mode, UPC, RFL ≤ 55 dB
 3C = SC, ceramic insert
 59 = SC, ceramic insert, duplex
 11 = FC, metal insert
 6T = ST compatible, threaded ceramic insert
 A9 = LC, ceramic insert, duplex

5 Select adapter code.
Single-mode, APC, RFL < 70 dB
 6C = SC, metal insert
 D9 = SC, ceramic insert, duplex
 B3 = LC, ceramic insert, duplex
Multimode
 56 = SC PC, metal insert, OM1
 91 = SC, metal insert, duplex, OM1
 5T = ST compatible PC, threaded ceramic insert, OM1
 A8 = LC, ceramic insert, duplex, OM1
 E4 = LC UPC, ceramic insert, duplex laser-optimized (OM3/OM4)
 E6 = SC UPC, ceramic insert, simplex laser-optimized (OM3/OM4)
 E7 = SC UPC, ceramic insert, duplex laser-optimized (OM3/OM4)

6 Select fiber type.
 – = Single-mode (OS2)
 K = 62.5 μm multimode (OM1)
 C = 50 μm multimode (OM2)
 S = 50 μm multimode (OM4)

7 Select cable type.
900 μm coated fiber cables (6-144 fibers)
 81 = MIC® riser indoor cable with TBII® buffered fiber
 88 = Plenum cable with flexible TBII buffered fiber
250 μm coated fiber loose tube cables (12-288 fibers)
 U4 = ALTOS® loose tube, gel-free cable
 U5 = ALTOS single-armored outside plant cable, gel-free

7 Select cable type.
250 μm coated fiber loose tube cables (12-288 fibers)
 U7 = ALTOS loose tube riser cable, gel-free
 UF = FREEDM® loose tube riser, gel-free cable
Ribbon fiber cables (12-144 fibers)
 C4 = SST-Ribbon™ all-dielectric outside plant cable
 C5 = SST-Ribbon single-armored outside plant cable
 C7 = Ribbon riser cable
 C8 = Ribbon plenum indoor cable
 CF = FREEDM Ribbon riser indoor/outdoor cable
 See Note 1.

8 Select special options.
 00 = Standard configuration
 Dual-end connectorization = Enter appropriate adapter/connector code from Option 5 if you require the unstubbed (non-housing) end of the cable to also be connectorized.

9 Select special options.
 1 = One cable
 2 = Two cables with full-fiber count from Option 2 divided evenly

10 Select cable entry direction.
 A = Bottom/left (default for wall-mount)
 B = Top/right (default for rack mount)
 C = Top/left
 D = Bottom/right
 See Note 2.

1) For best lead time and prices on stubbed hardware, use standard cable types listed in Table C. Non-standard cable types are made-to-order and will require longer lead times. Please verify specific cable fiber count availability with a Corning Customer Care Representative.

2) Referenced when viewing housing from the front.

3) Some product combinations using this matrix are not available. Please verify specific product availability with a Corning Customer Care Representative. For more information on the availability of special configurations, please contact Corning Customer Care Representative.

Ordering Information

Units Loaded with Connector Panels, Splice Trays and Pigtails

E W P - -

1
2
3
4
5
6
7
8
9
10

1 Select panel capacity.
 3 = 3-panel unit (36 fibers maximum)
 6 = 6-panel unit (72 fibers maximum)

2 Select total unit fiber count (enter two-digit number).
 36 = 3-panel unit maximum
 72 = 6-panel unit maximum

3 Select number of fiber required per panel based on connector types.
 06 = FC
 06 = ST® compatible
 06 = SC simplex
 08 = SC duplex
 12 = SC duplex
 12 = LC duplex

4 Select adapter code.
Single-mode, UPC, RFL ≤ 55 dB
 3C = SC, ceramic insert
 59 = SC, ceramic insert, duplex
 11 = FC, metal insert
 6T = ST compatible, threaded ceramic insert
 A9 = LC, threaded ceramic insert

4 Select adapter code.
Single-mode, APC, RFL < 70 dB
 6C = SC, metal insert
 D9 = SC, ceramic insert, duplex
 B3 = LC APC, ceramic insert, duplex

Multimode
 56 = SC, metal insert adapter, OM1
 91 = SC, metal insert, duplex, OM1
 5T = ST compatible, threaded ceramic insert, OM1
 A8 = LC, ceramic insert, duplex, OM1
 E4 = LC UPC, ceramic insert, duplex laser-optimized (OM3/OM4)
 E6 = SC UPC, ceramic insert, simplex laser-optimized (OM3/OM4)
 E7 = SC UPC, ceramic insert, duplex laser-optimized (OM3/OM4)

5 Select the pigtail length in meters (1 m = 3.2 ft).
 1 = 1 m
 3 = 3 m (standard)

6 Select mode of operation.
 R = Single-mode (OS2)
 K = 62.5/125 μm multimode (OM1)
 C = 50/125 μm multimode (OM2)
 S = 50/125 μm multimode (OM4)

7 Select pigtail type.
 H = MIC® jacketed cable, buffered fiber
 J = Ribbon
 N = 900 μm

8 Select the number of splice trays.
 (Enter single digit)

9 Select splice tray type.
 C = 12-fiber RTV splice tray, 0.2-in-tall (M67-060)
 D = 12 single-fiber or 6 mass fusion (72-fiber) trays, 0.4-in-tall (M67-110)
 K = 6-fiber heat-shrink fusion tray, 0.2-in-tall (M67-068)

10 Select lockable option.
 0 = No lock
 L = Lockable
 D = Dual-locking doors (both provider and customer)
 See Note 2.

Notes:

- 1) The W3P accepts up to six reduced length 0.2-in or three reduced length 0.4-in trays. The W6P accepts up to twelve reduced length 0.2-in or six reduced length 0.4-in trays.
- 2) Units ordered with the locking feature will be shipped with one lock installed on the cable entry or provider side door for wall-mountable hardware, and on the front door for rack-mountable hardware. Additional lock kits for hardware items featuring the possibility of dual locking doors may be ordered using the part number HDWR-LOCK-KIT.
- 3) For fully loaded wall-mountable housings with pigtails, adapters and splice trays, refer to literature code 0169_NAFTA_AEN (old EVO-379-EN).
- 4) For pigtailed units, see 0169_NAFTA_AEN and for prestubbed units, see 0167_NAFTA_AEN (old EVO-136-EN).
- 5) Some product combinations using this matrix are not available. Please verify specific product availability with a Corning Customer Care Representative. For more information on the availability of special configurations, please contact Corning Customer Care.

Eclipse® Hardware Product Family



Installation Guides

For further details on how to install Corning Eclipse® Hardware products, please refer to the following Corning Recommended Procedures.

Eclipse Rack-mountable 1U and 2U Housing Hardware	003-813
Eclipse 4U Splice Housing (ECL-D4U)	003-867
Eclipse Coupler Shelf 01U-02U	009-222
Eclipse Inter-Bay Dual Storage Unit	003-497
Eclipse Wall-Mount Housing	003-499
Eclipse Splitter Parking Lot Module	003-820
Eclipse Splitter Parking Lot Shelf	003-817
ECL-C4U Connector Housing	009-221
Eclipse EndCaps	003-498
Electronics Jumper Management Panel	003-481
Eclipse Rear Fiber Management System ECL-RFM-F and ECL-RFM-1	003-492
Eclipse Splice Housing	009-220
Inter-Bay Storage Unit — UDF and Eclipse	003-483
Eclipse Jumper Management Panels J1U, J2U and J3U	009-223
Jumper Troughs	009-224
End Cap Cover Kit (UDF-EC-7)	003-424
UDF End Cap	003-495
UDF Equipment Racks	003-484

**Corning Optical Communications LLC • PO Box 489 • Hickory, NC 28603-0489 USA
800-743-2675 • FAX: 828-325-5060 • International: +1-828-901-5000 • www.corning.com/opcomm**

A complete listing of the trademarks of Corning Optical Communications is available at www.corning.com/opcomm/trademarks. All other trademarks are the properties of their respective owners. Corning Optical Communications is ISO 9001 certified.

© 2022 Corning Optical Communications. All rights reserved.