



CORNING

Fibre to the Premise for UK Alt Nets

Innovative solutions to your business challenges



Opportunity Awaits

From urban centres to rural hamlets across the country, full fibre is today's undisputed preferred technology. How can you make the most of current opportunities, whether you're just starting or evolving your network?

Corning has the solutions and expertise to help you overcome business challenges, including network build costs, availability of skilled labour, and access to civil infrastructure, so you can quickly deploy a scalable, future-ready network that meets your customers' ever-increasing demands for speed, reliability, and quality.

To learn more, contact us [here](#).

Network Architecture Options

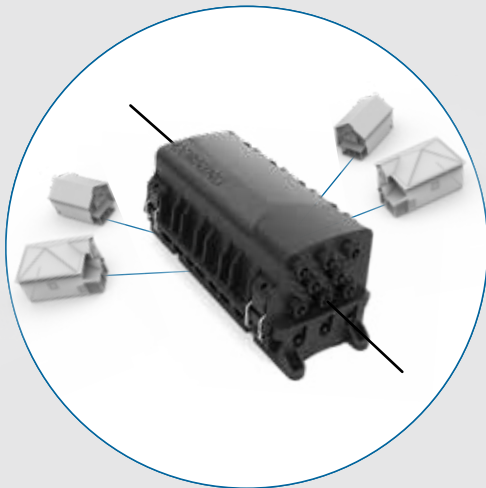
Whichever architecture you choose, the key to success is a flexible, robust outside plant solution that makes it easy to deploy and maintain high-quality customer connectivity.

Network Terminals

There are two options to connect the network to customer drops:

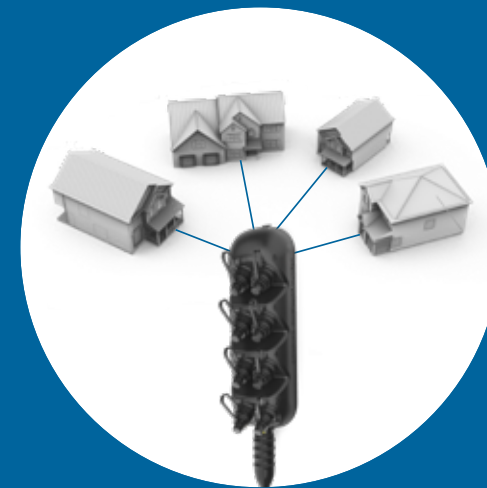
Pass-through

Spliced: requires skilled fibre installers



Stubbed

Pre-connectorised: no skilled fibre installers required for home passes



Best Option

Three Ways to Connect Customer Drops to Terminals:



Spliced Drops

- Fusion or mechanical splicing at the terminal
- Fibre work required in terminal at homes passed
- Each customer installer requires splicing skills and equipment



Non-Hardened Connectorised Drops

- Conventional SC or LC connectors
- Terminals opened and resealed for every customer connection
- Drop cable connector can be field terminated or factory installed

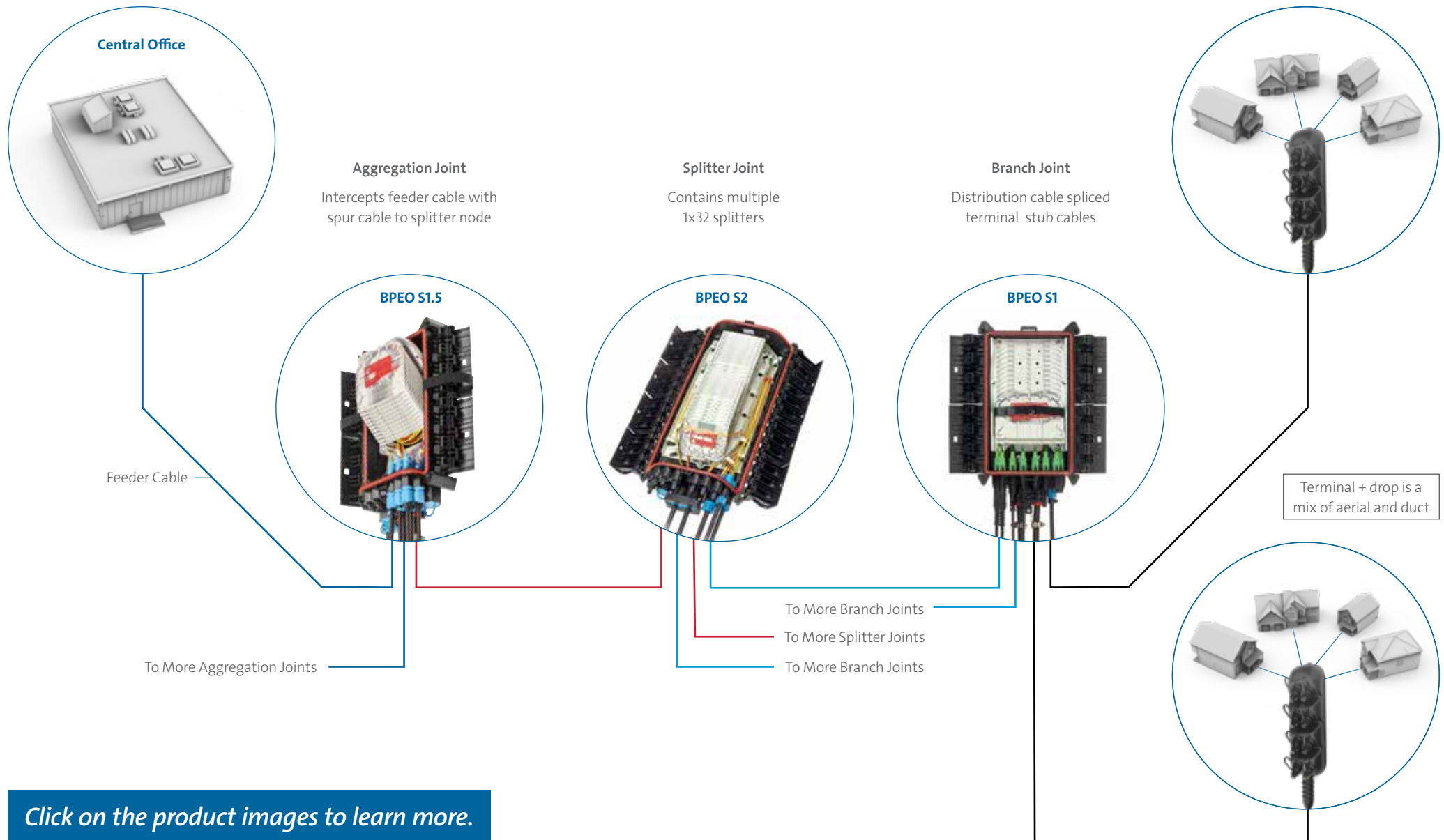


Hardened Connectorised Drops

- Easily plugs into external port
- Separates homes passed vs. homes connected operations
- No fibre work required for terminal installation
- Minimal splicing locations
- Popular configuration used by largest FTTH providers worldwide

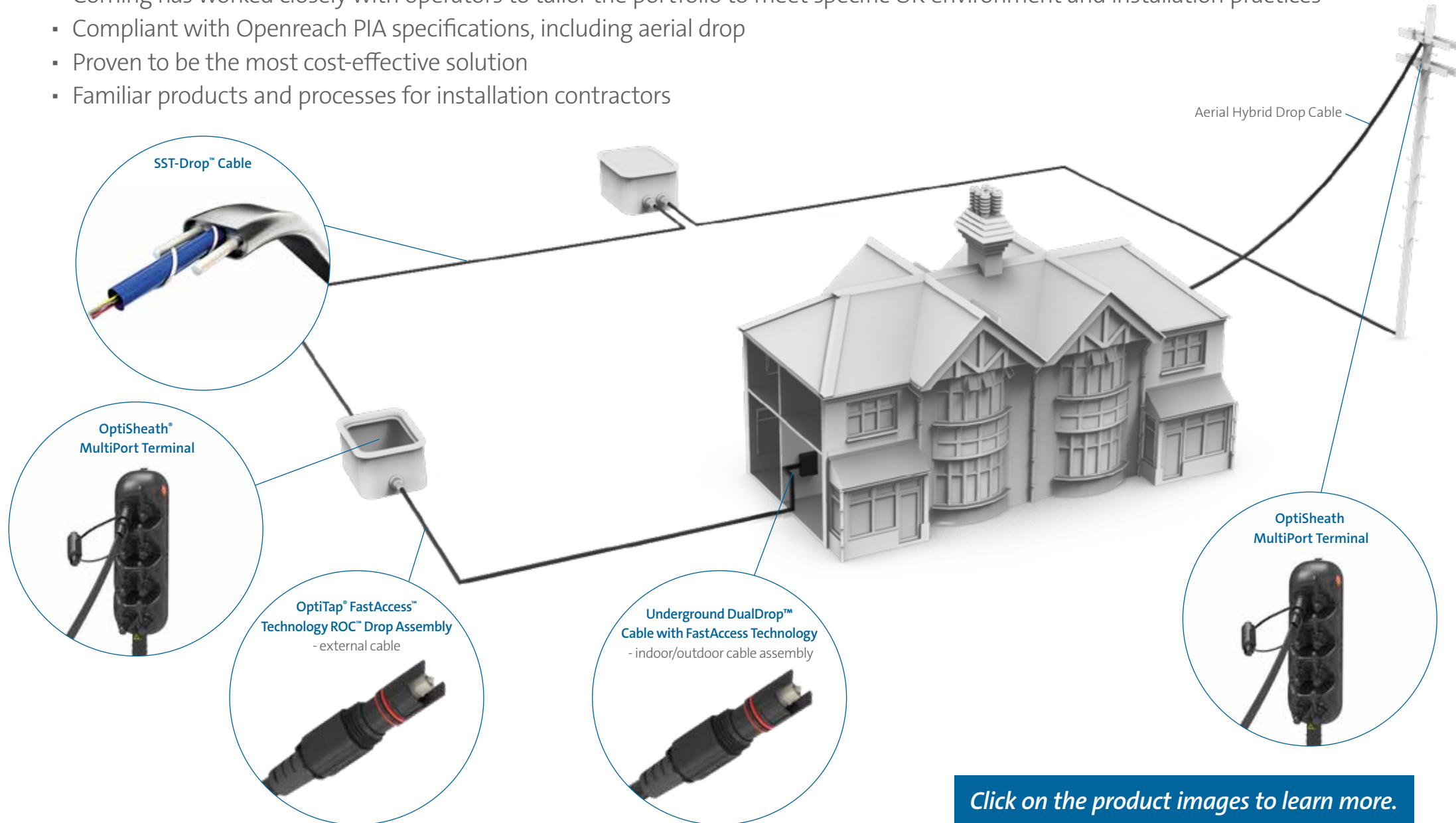
Best Option

Typical Stubbed Architecture for FTTH in the UK



OptiTap® Solutions for PIA Deployment

- Corning has worked closely with operators to tailor the portfolio to meet specific UK environment and installation practices
- Compliant with Openreach PIA specifications, including aerial drop
- Proven to be the most cost-effective solution
- Familiar products and processes for installation contractors



[Click on the product images to learn more.](#)

Innovative Solutions from Corning

Since its invention, our **OptiTap® solution** has brought reliable service to a large percentage of the 4 million homes passed in the UK. Now, our new **Evolv™ solution** not only offers a slimmer, more attractive option, it also reduces installation costs and enables faster builds.

The next evolution of our popular pre-connectorised portfolio, this innovative new approach lets you go faster, go simpler, go smaller, and go anywhere.

- Miniaturised connectors and terminals
- Stick and click, one-handed mating is easy anywhere
- For aerial and underground applications
- Discrete: Ideal for façade installations, particularly on historic buildings

Click on the product images to learn more.



Go Faster
"Stick and Click"



Go Simpler
One Product



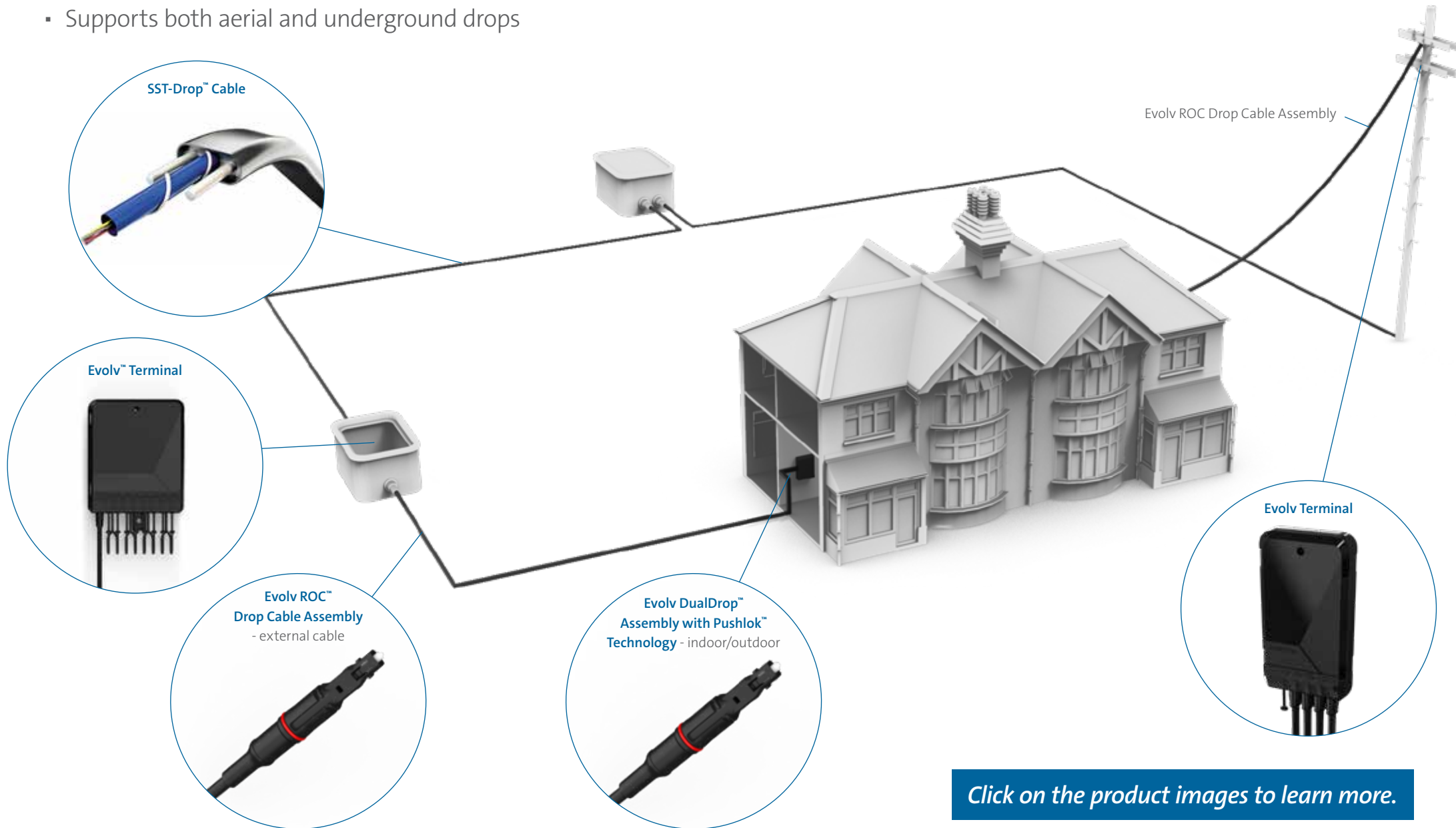
Go Smaller
Up to 4x smaller



Go Anywhere
Save time, space, infrastructure, and inventory

Evolv™ Solutions for PIA Deployment

- Stubbed terminal configuration is ideal for distribution duct infrastructure
- Supports both aerial and underground drops



[Click on the product images to learn more.](#)

One Cable for Aerial and Underground Deployment

Available for both OptiTap® and Evolv™ Solutions, ROC™ drop cable's compact size and optimised bend characteristics are ideal for pushing or pulling into ducts, plus it can hold up to the toughest mechanical and environmental demands.



Everything you need for FTTP

In addition to hardened connectivity solutions, we also offer:

Click on the images below to learn more.



Central office solutions, including our Centrix™ system for industry-leading port densities



Innovative fibre optic cabling, including MiniXtend® HD Cable with Binderless FastAccess™ Technology



Field-terminated connectors like NPC+ with copper-like termination



Low-impact MDU indoor cabling systems with plug-and-play assembly



You can trust your network to Corning

For more than 165 years, we've created breakthrough technologies that make people's lives better and change the world.

- Invented low-loss fibre over 50 years ago.
- Products used by the biggest and most profitable communications companies.
- Passed more than 58 million homes with hardened connectivity, setting the standard for field-proven FTTP.

Our dedicated support team can help you address your specific challenges to build a future-ready network today. Contact us [here](#) to get started.

CORNING

Corning Optical Communications GmbH & Co. KG • Leipziger Strasse 121 • 10117 Berlin, GERMANY
+00 800 2676 4641 • FAX: +49 30 5303 2335 • www.corning.com/opcomm/emea

Corning Optical Communications reserves the right to improve, enhance, and modify the features and specifications of Corning Optical Communications products without prior notification. A complete listing of the trademarks of Corning Optical Communications is available at www.corning.com/opcomm/trademarks. All other trademarks are the properties of their respective owners. Corning Optical Communications is ISO 9001 certified. © 2020, 2021 Corning Optical Communications. All rights reserved. CRR-1603-A4-BEN / March 2021